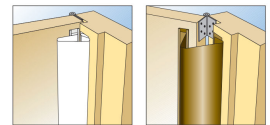
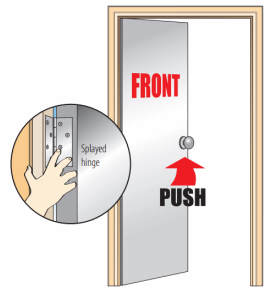
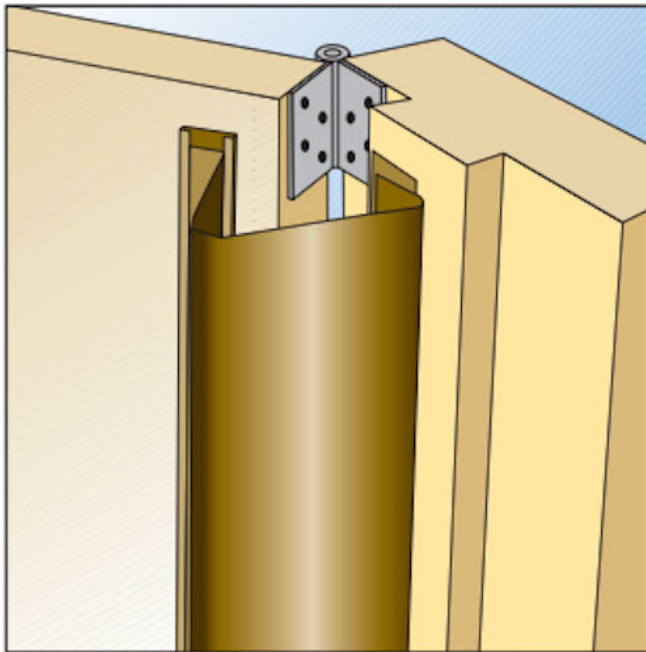
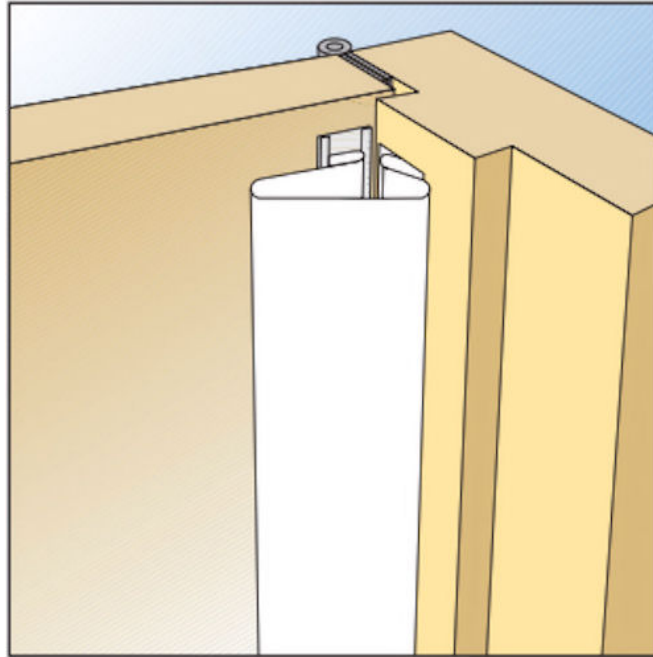


Medium Duty Finger Protector Hinge Guard - For Front Opening Push Side Fitting - 1950mm Length

Product Images



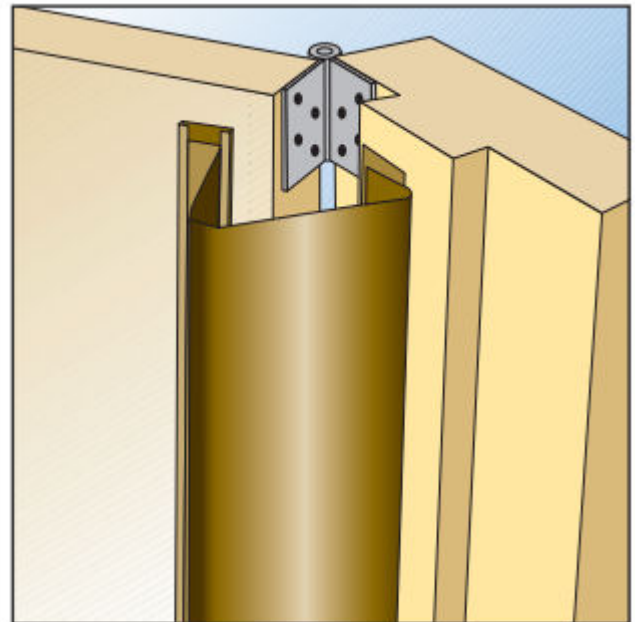
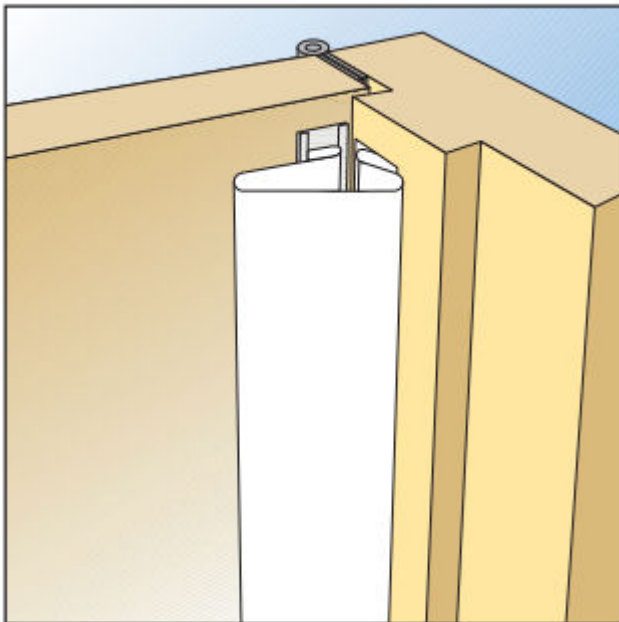
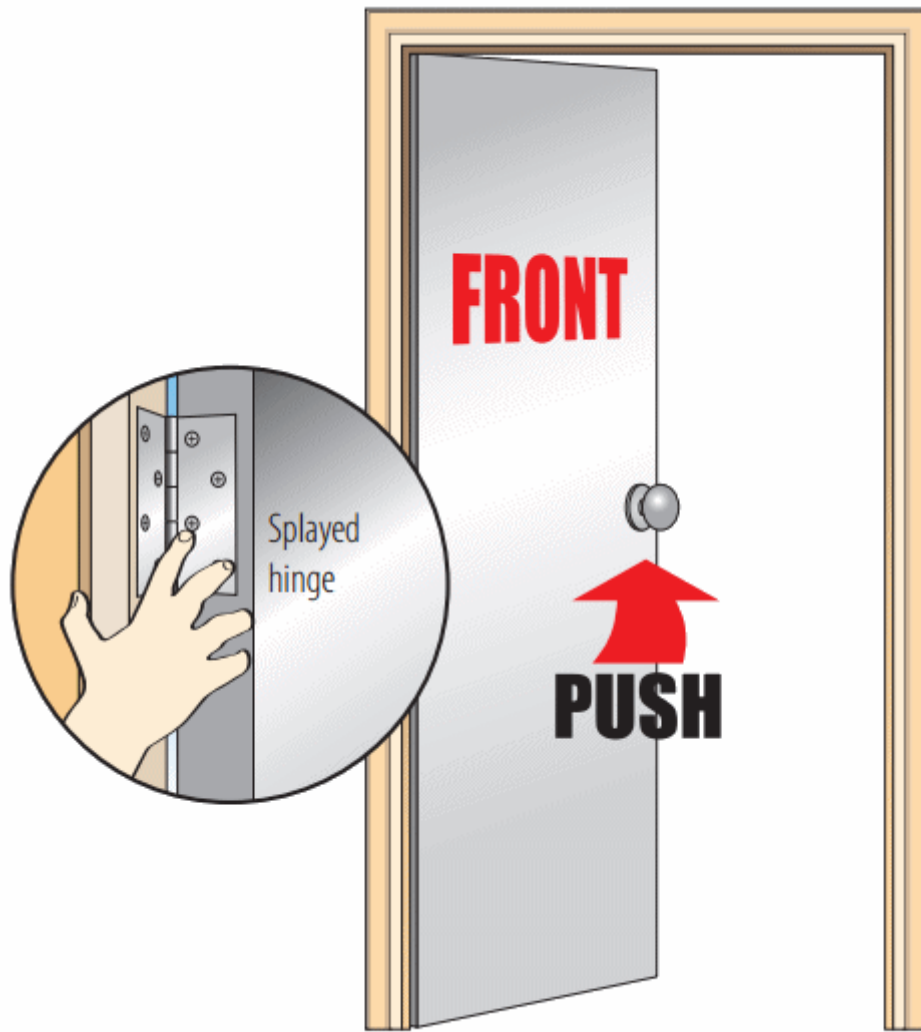


Description

- Medium duty finger protector hinge guard - for front opening push side fitting.
- Hinge guards provide finger protection for doors which are simple and cost effective devices that cover the gaps created when doors are opened.
- These devices fit most doors and are simple to install.
- Finger protectors are unobtrusive, and will in no way impede the opening and closing of any door.
- Slim-line design - once fitted it is hardly noticeable.
- Suitable for areas of medium pedestrian traffic.
- Improves acoustic and draft proofing performance.
- Can be screw fixed to allow easy hinge maintenance, easy to install, no specialist tools or equipment required.
- Supplied with high performance self adhesive tape.
- Easy to clean and requires no maintenance.
- Medium duty rear pull side fitting hinge guard also available see related products or search for 40900.

Fitting Position:

- Front opening push side fitting.



Finishes:

- White PVC
- Brown PVC

Dimensions:

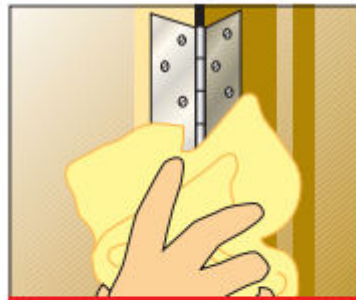
- 1.95 metre (1950mm) lengths.
- Easily cut to length for smaller door sets.

Areas of application:

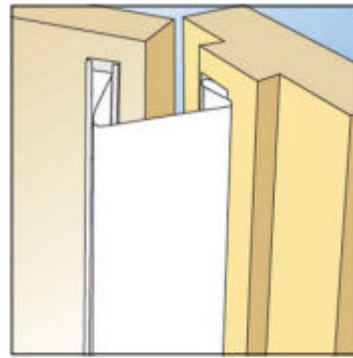
- Suitable for fire rated and non fire rated doors.
- Suitable for timber, steel or composite doors.
- Suitable for doors with a maximum opening angle of 140 degrees.
- Ideal for nurseries, schools and residential care homes

Fitting Instructions:

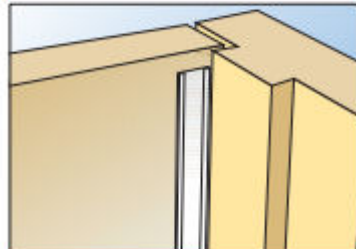
- Clean the door and the door frame thoroughly. It is essential that surfaces are clean and free from silicone or polish.
- The channel and flexible cover have self adhesive strip on faces which attach to the door and frame.
- Measure door height and trim channel if necessary.
- Allow a gap of 10mm at top and bottom of door.
- Before fitting you should remove the pink cover from adhesive strip.
- Ensure adhesive is firmly pressed into place.
- For easy maintenance screw fix channels at 400mm centres.
- Each pack contains: 1 x Channel, 1 x Flexible Cover (screws not supplied).



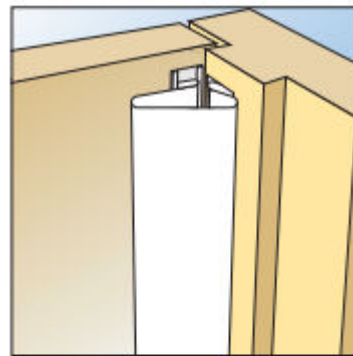
1 Clean the door and door frame thoroughly



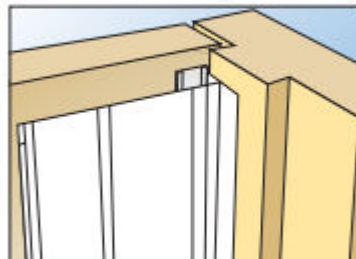
4 Open the door. Line up foot on flexible cover to channel. Locate and snap foot into channel on door.



2 With the door shut, stick channel into the corner of the door. Screw fix if necessary.



5 Close the door.



3 Stick flexible cover to door frame using edge of channel as a guide for positioning. Screw fix if necessary.

Products in this set



40899.1 - Medium Duty Finger Protector Hinge Guard - For Front Opening Push Side Fitting - 1950mm Length - White PVC



40899.2 - Medium Duty Finger Protector Hinge Guard - For Front Opening Push Side Fitting - 1950mm Length - Brown PVC