

---

## Circular Sliding Door Flush Handle For Sliding Doors With Spring Cover - 75mm Diameter - Satin Stainless Steel

### Product Images

---



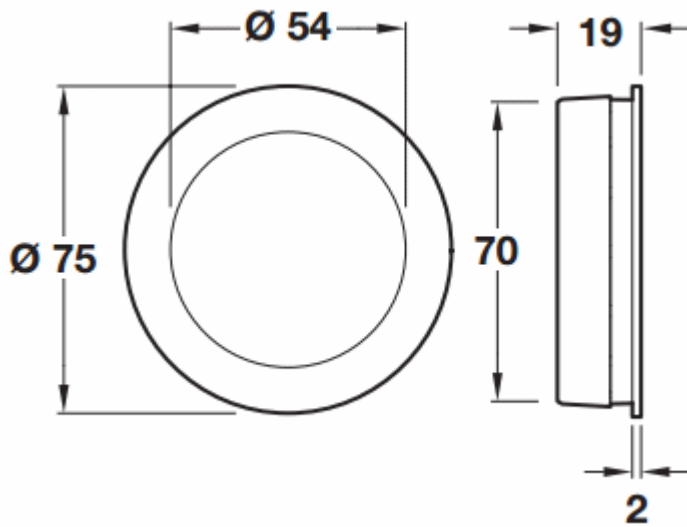
### Description

---

- Designer circular shape flush fitting sliding door handle with spring loaded cover plate.
- Front cover plate has a unique "floating" spring design which allows the user to gently push it inwards at any position.
- This inset handle measures 75mm diameter.
- **Please note this handle has no lipping around the opening and cannot be used to pull a door open, making it only suitable for use on sliding doors.**
- Made from stainless steel this item is a satin (brushed) finish.
- This item has to be morticed (cut) into the door to allow it to sit fit flush.
- Suitable for use on full height sliding doors, wardrobe doors and cupboard doors.

- Sleek minimal look with no visible fixings. - (this handle is designed to push fit into a cut out).

## Size Details



Item Code	Diameter	Recess Depth	Recess Diameter	Backplate Thickness
40920.1	75mm	17mm	70mm	2mm

## Base Material

- Made from stainless steel.

## Finish Details

- Satin stainless steel - a grey colour with very slight golden undertones. The raw stainless steel has been satinised "brushed" to produce visible brush marks in the surface of the item.

## Fixings

- This handle is designed to push fit into a 70mm diameter hole.

## Usage

- Suitable for internal use.
- To fit this handle completely flush a minimum door thickness of 25mm is required.

## Unit Of Sale

- This item is sold individually - (Each)

## Products in this set

---



40920.1 - Circular Sliding Door Flush Handle With Spring Cover - Satin Stainless Steel - 75mm Diameter  
- Each