

Rectangular Shape Inset Flush Handle For Sliding Doors - 100mm x 52mm - Satin Nickel

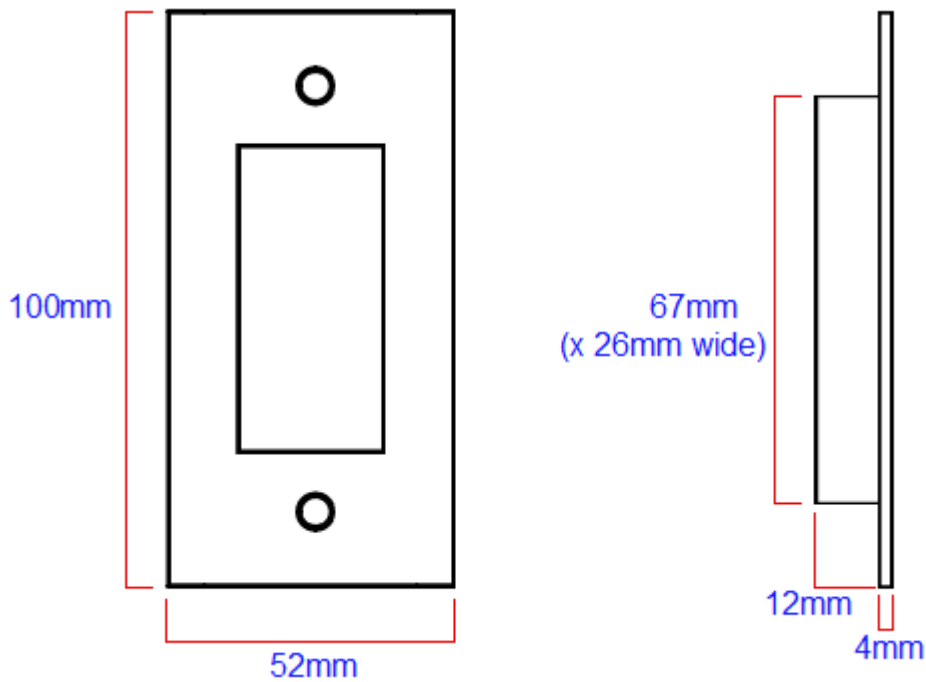
Product Images



Description

- Satin nickel rectangular shape flush fitting inset handle for sliding doors.
- Suitable for use on full height sliding doors, wardrobe doors and cupboard doors.
- This flush handle measures 100mm x 52mm.
- **Please note this handle has no lipping around the opening and cannot be used to pull a door open, making it only suitable for use on sliding doors.**
- This item has to be morticed (cut) into the door to allow it to sit fit flush.
- Satin nickel plated - brushed finish.

Size Details



Item Code	Height	Width	Recess Depth	Recess Height	Recess Width	Backplate Thickness
40923.1	100mm	52mm	12mm	67mm	26mm	4mm

Base Material

- Made from solid brass.

Finish Details

- Satin nickel.

Alternative Finishes Available

- Satin chrome
- Polished chrome
- Polished brass
- Antique brass

Fixings

- This handle is fitted via 2 x countersunk wood screws through the face of the backplate.
- Matching screws are supplied with this item.

Usage

- Suitable for internal or external use.
- To fit this handle completely flush a minimum door thickness of 18mm is required.

Unit Of Sale

- This item is sold individually - (Each)

Products in this set



40923.1 - Rectangular Shape Flush Inset Handle For Sliding Doors - Satin Nickel - 100mm x 52mm - Each