

---

## Long Rectangular Shape Inset Flush Handle For Sliding Doors - 152mm x 50mm - Satin Nickel

### Product Images

---

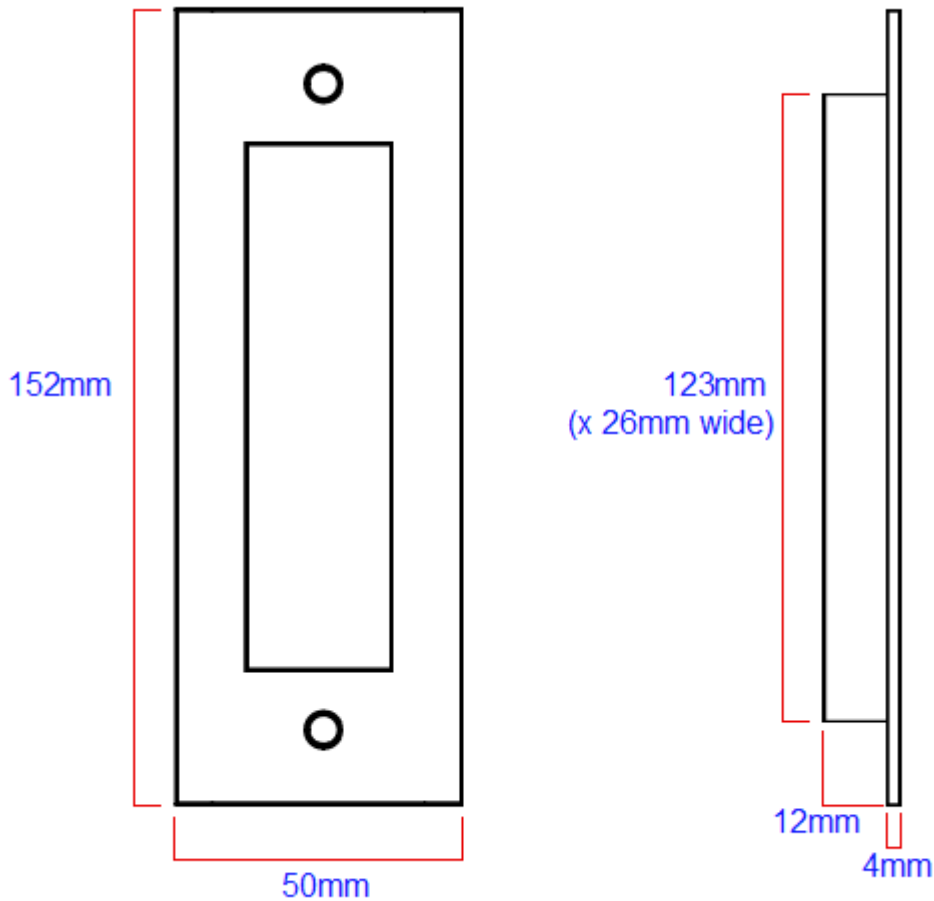


### Description

---

- Satin nickel finish long rectangular shape flush fitting inset handle for sliding doors.
- Large design makes this handle suitable for use on full height sliding doors, wardrobe doors and cupboard doors.
- This flush handle measures 152mm x 50mm.
- **Please note this handle has no lipping around the opening and cannot be used to pull a door open, making it only suitable for use on sliding doors.**
- This item has to be morticed (cut) into the door to allow it to sit fit flush.
- Satin nickel plated - brushed finish.

### Size Details



Item Code	Height	Width	Recess Depth	Recess Height	Recess Width	Backplate Thickness
40924.1	152mm	50mm	12mm	123mm	26mm	4mm

## Base Material

- Made from solid brass.

## Finish Details

- Satin nickel.

## Alternative Finishes Available

- Satin chrome
- Polished chrome
- Polished brass
- Antique brass

## Fixings

- This handle is fitted via 2 x countersunk wood screws through the face of the backplate.
- Matching screws are supplied with this item.

## Usage

- Suitable for internal or external use.

- To fit this handle completely flush a minimum door thickness of 18mm is required.

## Unit Of Sale

- This item is sold individually - (Each)

### Products in this set

---



40924.1 - Rectangular Shape Flush Inset Handle For Sliding Doors - Satin Nickel - 152mm x 50mm - Each