
Extra Large Rectangular Design Flush Pull Handle For Sliding Doors - 400mm Long x 55mm Wide - Satin Stainless Steel

Product Images

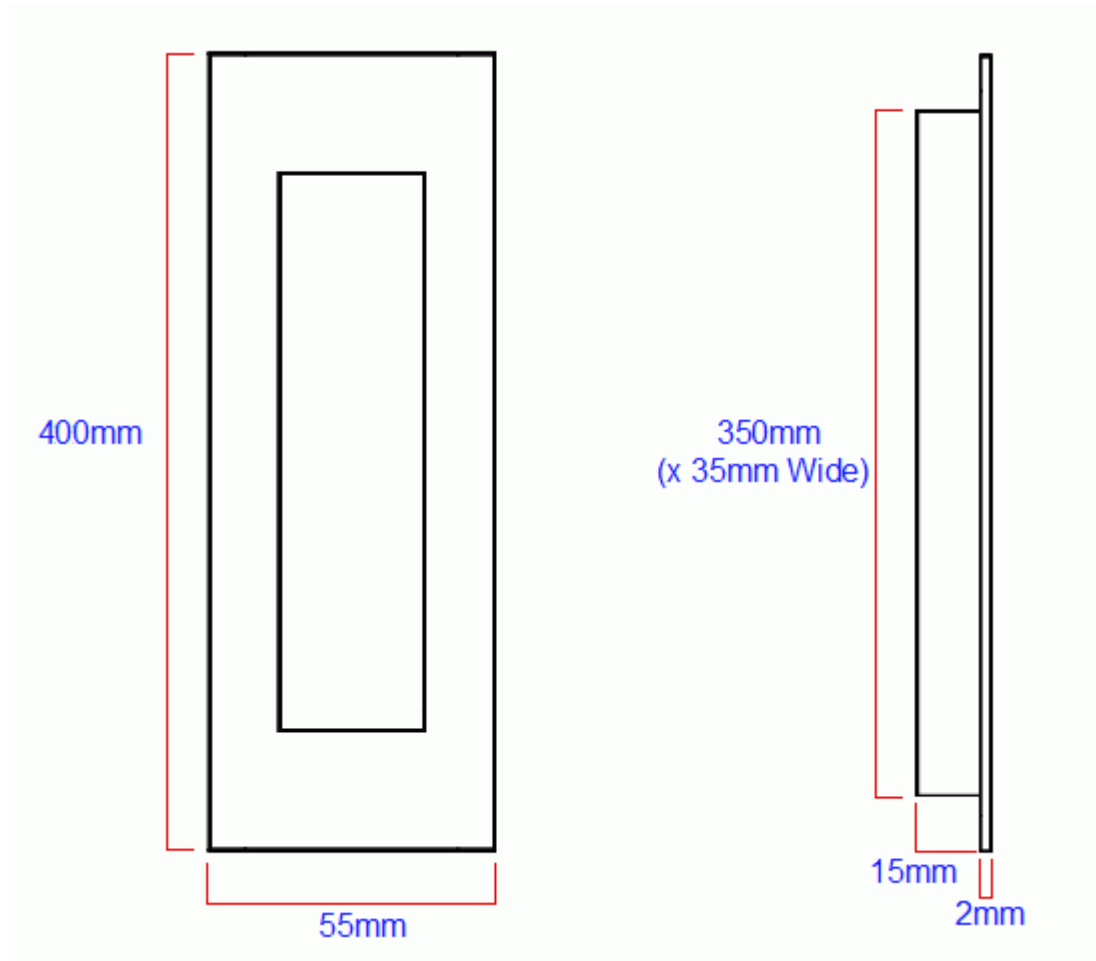




Description

- Extra large design rectangular shape flush fitting, inset pull handle for sliding doors.
- Ideal for tall doors this handle measures 400mm long x 55mm wide.
- Made from stainless steel this item is a satin (brushed) finish.
- This item has to be morticed (cut) into the door to allow it to sit fit flush.
- Suitable for use on full height sliding doors, wardrobe doors and cupboard doors.
- Sleek minimal look thanks to discreet fixings. - (This item is fixed via wood screws from inside the recess).

Size Details



| Item Code | Height | Width | Recess Depth | Recess Height | Recess Width | Backplate Thickness |
|-----------|--------|-------|--------------|---------------|--------------|---------------------|
| 40933.1 | 400mm | 55mm | 15mm | 350mm | 35mm | 2mm |

Base Material

- Made from stainless steel.

Finish Details

- Satin stainless steel.

Fixings

- This handle is fitted via 2 x wood screws inside the recess of the handle.
- Screws are supplied with this item.

Usage

- Suitable for internal use
- To fit this handle completely flush a minimum door thickness of 20mm is required.

Unit Of Sale

- This item is sold individually - (Each)

Products in this set



40933.1 - Contemporary Rectangular Design Flush Pull Handle - Satin Stainless Steel - 400mm x 55mm - Each