
Double Action Pivot Set - For Double Swing Doors - Floor Mounted - 80kg - Satin Stainless Steel

Product Images



Description

- Double action pivot set - allows doors to swing in both directions
- Bottom bracket is floor mounted and does not protrude beyond the door edge
- Suitable for FD30 doors, tested to BS476 Part 22
- Minimum door thickness 44 mm
- To suit doors up to 80 kg, when floor mounted
- Maximum door width 1100 mm, when jamb mounted
- 44 mm thick doors require R9 radius on pivot edge, 54 mm thick doors require R12 radius

- Top and bottom plates have maintenance free oil impregnated bronze bearings
- Set includes door bottom pivot, top centre and 5mm thick door brackets

Base Material

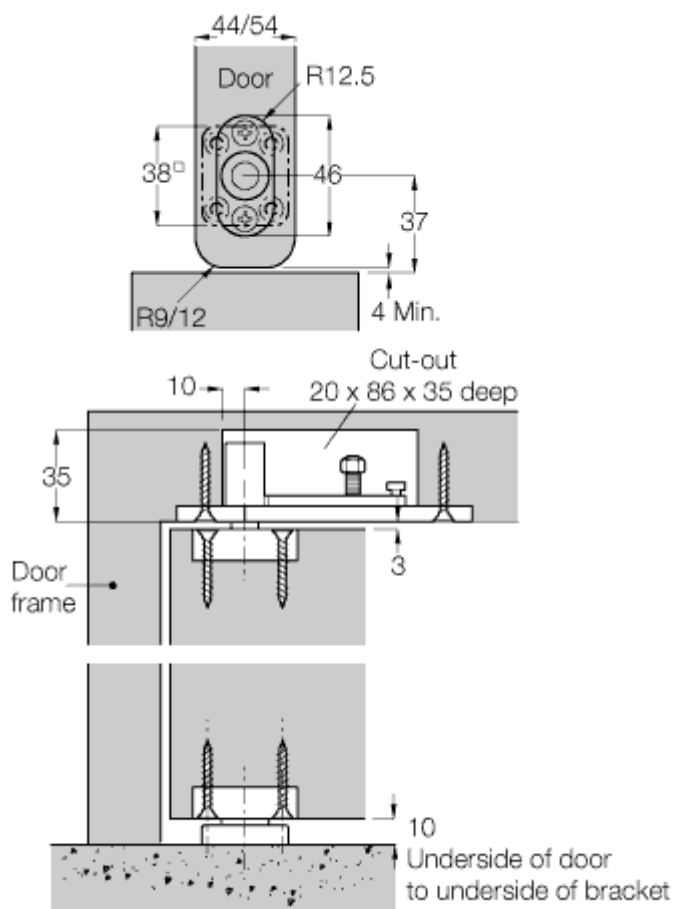
- Stainless steel - grade 304

Finish

- Satin stainless steel - (brushed finish)

Dimensions

- Top Pivot - 86mm x 20mm x 35mm



Unit Of Sale

- Sold per set - to hang one double action door.

Products in this set



41051.1 - Double Action Pivot Set - Floor Mounted - 80kg Weight Limit - Satin Stainless Steel