
ERA High Security British Standard BS3621 Rated - Night Latch With Ant-Thrust - Polished Chrome

Product Images



Description

TO SUIT MAXIMUM DOOR THICKNESS OF 54MM

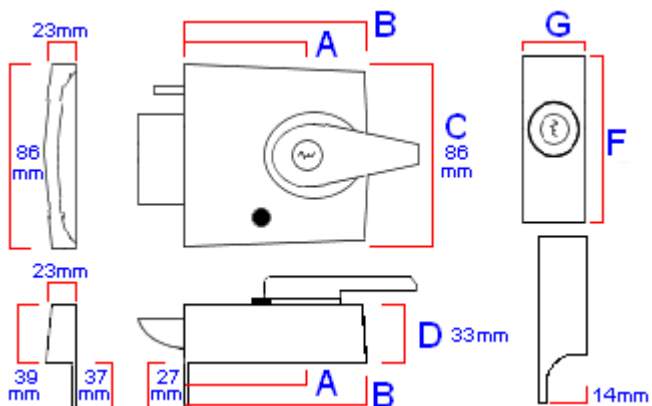
- British Standard High Security Nightlatch
- Conforms to British Standard BS 3621:2004 and meets the tough criteria laid down by the insurance companies and the Police (Secure By Design)

- Features an integral cylinder pull which protects the cylinder from being drilled
- The cylinder has over 30,000 key variations and comes with a 20mm bolt throw for greater security and strength.

Finish

- Polished chrome

Dimensions



AVAILABLE IN TWO SIZES	15020.1	15020.2	Dimension On Diagram
Backset	40mm	60mm	A
Case Width	70mm	90mm	B
Case Height	86mm	86mm	C
Case Depth	33mm	33mm	D
Lever Projection From Case	25.5mm	25.5mm	E
Cylinder Height	83mm	83mm	F
Cylinder Width	50mm	50mm	G

Important Info Before You Buy

- For use on inward opening doors only
- Night latch can be dead-locked (double locked) This is done from the INSIDE by a full turn of the key
- Double locks from inside, so if some one were to break the glass in a front door or a near by window they can't unlock the night latch with out the use of the key
- Latch bolt is withdrawn by handle from inside and by turn of key from outside.
- Bolt can be held back by pushing the button on lock case, then released by turning the handle up or down
- The main lock bolt "automatically" deadlocks, when the door is closed this makes the use of a credit card to force entry virtually impossible
- Comes with three keys

Products in this set



15020.1 - ERA High Security British Standard Night Latch - Polished Chrome - 40mm Backset - Each



15020.2 - ERA High Security British Standard Night Latch - Polished Chrome - 60mm Backset - Each