

## BS Rated - 5 Lever British Standard Kite Marked Mortice Sash Lock - Matt Black

### Product Images



### Description

- Matt black finish 5 Lever British Standard sash lock.
- Kite marked security lock for external doors including, front doors, back doors and garage doors. Tested to the British standard BS 3621.
- Insurance approved, BS 3621 rated.
- Sash locks have a latch mechanism built into the lock case and are designed to be used with a pair of door handles.
- Key operation from either side of the door via a cut "Chubb style" key.
- Supplied with matt black finish forend and strike plate.
- Police preferred specification - Secured By Design (SBD) approved.

- Mortice lock available in two sizes 64mm or 76mm (case depth).
- Supplied with 2 keys

## Operation

- 8mm spindle for use with standard UK door handles.
- Key operation from both sides.
- Key differed - if ordering more than one, each lock will come with different keys.
- Suitable for use on timber doors.

## Features

- Heavy duty lock case and stainless steel striker plate for the door frame.
- Solid stainless steel deadbolt and latch.
- Dual latch springing - spring strength can be adjusted on site to suit sprung or un-sprung lever furniture.
- Bolt through facility for bolt together fixing of lever handles and accessories at 38mm centers.
- Solid investment cast 8mm x 8mm spindle follower (to suit standard UK size spindles).
- 20mm bolt throw with a single turn of a key.
- 10 year mechanical guarantee as standard.
- Patented Easi-T latch reversal mechanism. - Latch can be reversed on site without taking the lock case apart.
- Reversible strike plate.

## Security Level

- Tested to BS EN 12209 the British / European standard requirements and testing methods covering locks and latches. Classification number **2H810F7KD2B**
- Stainless steel deadbolt with 20mm throw (bolt is thrown 20mm via one turn of the key only).
- Police preferred specification - Secured By Design (SBD) approved.
- High security, suitable for use on external front doors.

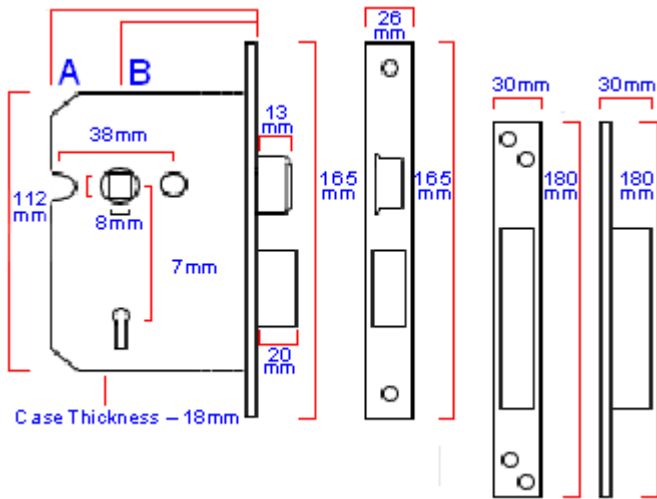
## Finish

- Matt black

## Alternative Finishes Available

- Satin stainless steel
- Polished stainless steel
- PVD Brass finish
- Florentine bronze

## Dimensions



Item Code Lock Case Depth (A) Backset To Keyhole (B)

41474.1	64mm	44mm
41474.2	76mm	57mm

- Will work with standard UK door handles.
- 8mm spindle hole.
- 57mm centres between the spindle hole and keyhole.

## Standards This Product Conforms To

- Police preferred specification - Secured By Design (SBD) approved.
- Kite marked - This lock meets the current British standard for locks fitted to external doors, including front doors.
- Insurance approved.
- Tested and passed to BS 3621:2007. The British standard requirements and test methods covering thief resistant lock assemblies with key egress (key egress - operating the lock via key from the inside of the door).
- Lock case tested and passed to BS EN 12209. The British / European standard requirements and test methods covering locks and latches. Classification number - **2H810F7KD2B**.
- Tested and passed to BS EN 1634 the British / European standard for determining the fire resistance of door and shutter assemblies including hardware. Assessed for use on 30 minute and 1 hour timber fire doors FD30 / FD60.
- Certifire approved
- CE Marked / UKCA Marked
- Declaration of performance (DoP) - *please see the additional information tab to download the certificate.*

## Options Available To Order

- **Keyed Alike (KA)** - A batch of locks all under the same one key.
- Please contact us for more information and lead times and prices for the above options.

## Rebate Kits For Double Rebated Doors

- 41475.1 - 13mm rebate kit for 5 lever sash lock.

## Products in this set

---



41474.1 - 5 Lever British Standard Mortice Sash Lock - 64mm Depth (44mm Backset) - Matt Black



41474.2 - 5 Lever British Standard Mortice Sash Lock - 76mm Depth (57mm Backset) - Matt Black