
Lever Action Flush Bolt For Double Doors - Suitable For Use On FD30 / FD60 Fire Rated Doors - 154mm x 19mm - Matt Black

Product Images



Description

- Lever action flush bolts for double doors.
- Designed to be fitted into the leading edge of the slave door.
- Suitable for use on FD30 / FD60 fire rated doors, when used in conjunction with the **(41667)** intumescent kit.

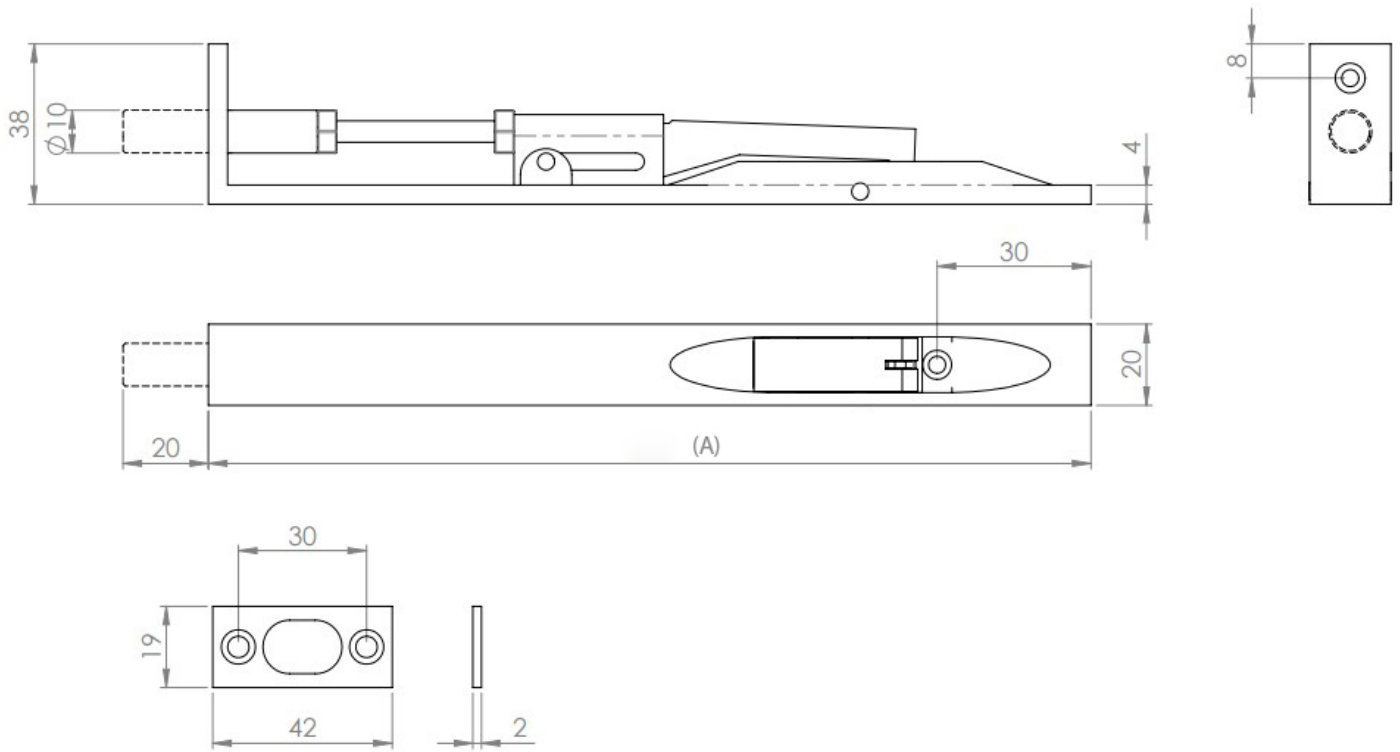
Base Material

- Stainless Steel

Finish

- Matt black

Dimensions



	Length (A)	Width	Depth
41491.1	150mm	20mm	38mm

Unit Of Sale

- Sold individually - each

Products in this set



41491.1 - Lever Action Flush Bolt - Tested For Use With FD30 / FD60 Fire Doors - 150mm x 20mm - Matt Black - (Each)