
Square Design Flush Pull Handle Set For Sliding Pocket Doors - Polished Stainless Steel

Product Images



Description

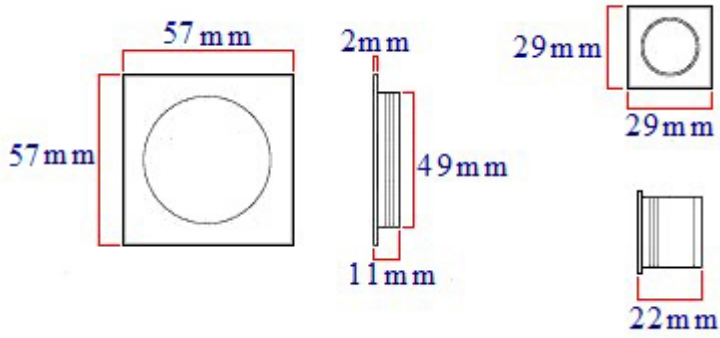
- Polished stainless steel flush pull handle set for sliding pocket doors.
- Square design rebated handles and square edge pull.
- Complete kit includes.
 - 2x Sliding door flush handles for fitting to the inside / outside faces of the door.
 - 1x Edge pull handle to help pull the sliding door out of the wall cavity (pocket).

Finish

- Polished stainless steel - (Shiny finish).

Dimensions

- Flush handles - 57mm x 57mm overall size (cut out 49mm diameter x 11mm depth).
- Edge Pull - 29mm x 29mm x 22mm depth.



Products in this set



41547.1 - Square Design Flush Pull Handle Set For Sliding Pocket Doors - Polished Stainless Steel - Set