
Grooved Ring Pattern Sliding Sash Window Lift - Polished Brass (Lacquered)

Product Images



Description

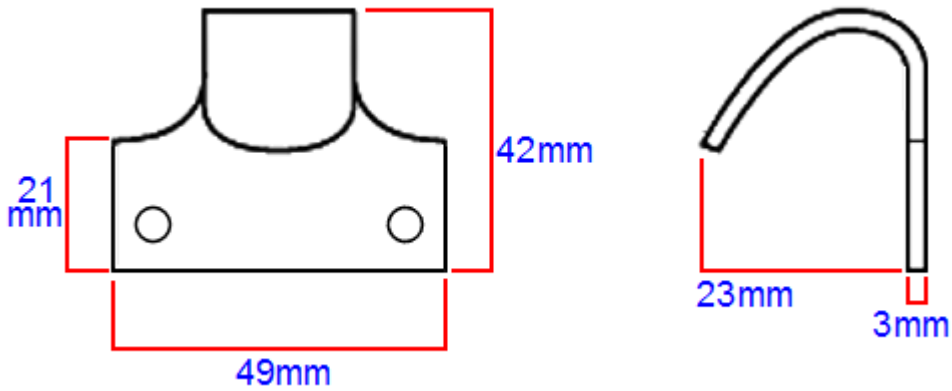
- Handle for sliding sash window - sash lift
- Single ring pattern detail on handle
- A sash lift is the handle used to lift or pull the sliding sash window open
- Heavy architectural quality - Hot stamped

Finish

- Polished brass

Dimensions

- Back Plate - Width - 49mm x Height - 21mm
- Overall Height - 42mm



Important Info Before You Buy

- Suitable for wooden sliding sash windows
- Usually two lifts used per window
- SOLD INDIVIDUALLY

Products in this set



15088.1 - Grooved Ring Pattern Sliding Sash Window Lift - Polished Brass (Lacquered)