

---

## Pocket Door Edge Pull - Spring Loaded - Antique Brass (Gloss Lacquered)

### Product Images

---



### Description

---

- Flush fitting rectangular shaped pull out edge pull for sliding pocket hideaway doors
- This pull out handle is designed to be morticed into the leading edge of a sliding door

- Pivoting arm design - Pushing the top half of the item causes the arm to pivot and pop out from the backplate creating a little handle allowing you to pull open a door
- Suitable for use on full height sliding doors, wardrobe doors and cupboard doors
- Sleek minimal look thanks to discreet fixings. - (This item is fixed via wood screws from inside the recess).

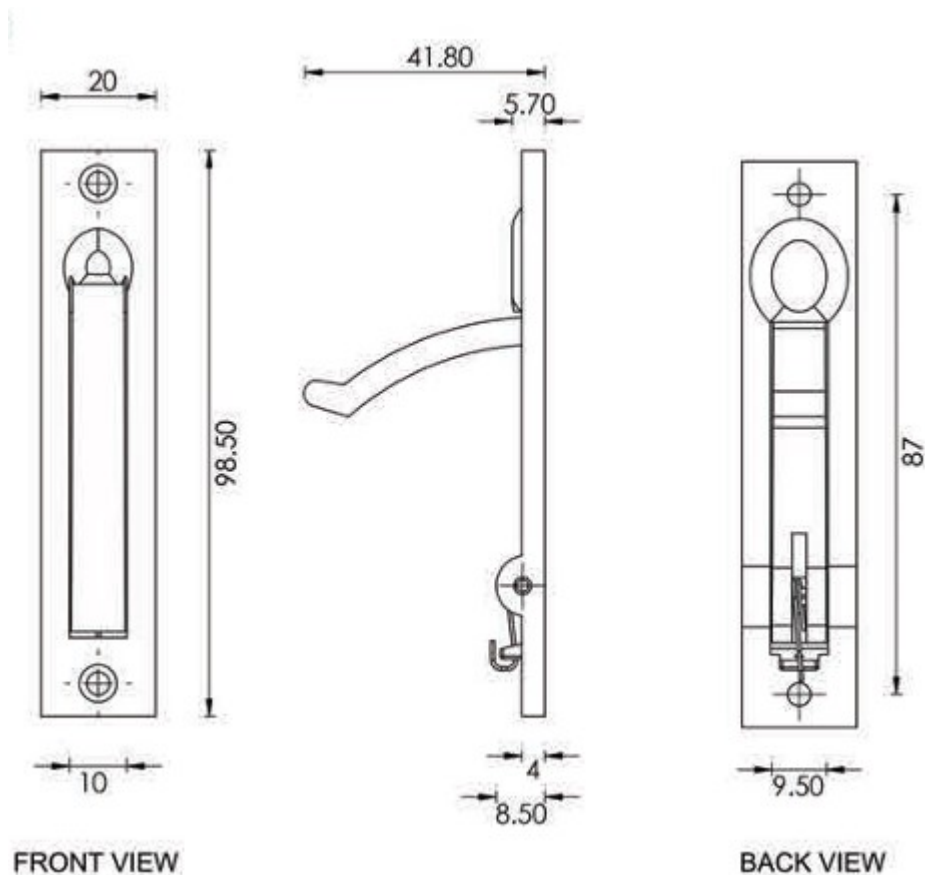
## Base Material

- Made from solid brass

## Finish

- Light Antique Brass

## Dimensions



- Available in one size only
- 100mm x 20mm
- Projection when opened - 42mm

## Fixings

- This handle is fitted via 2 x wood screws on the face of the handle
- Screws are supplied with this item.

## Usage

- Suitable for internal or external use

## Unit Of Sale

- This item is sold individually - (Each)

## Products in this set

---



42761.1 - Pocket Door Edge Pull - Spring Loaded - 100mm x 20mm - Antique Brass (Gloss Lacquered)