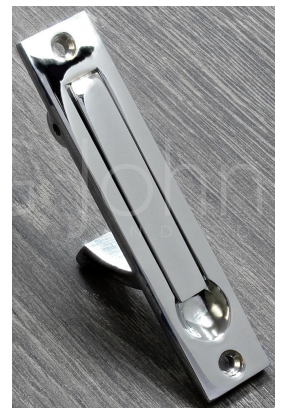

Pocket Door Edge Pull - Spring Loaded - Polished Chrome

Product Images



Description

- Flush fitting rectangular shaped pull out edge pull for sliding pocket hideaway doors
- This pull out handle is designed to be morticed into the leading edge of a sliding door
- Pivoting arm design - Pushing the top half of the item causes the arm to pivot and pop out from the backplate creating a little handle allowing you to pull open a door

- Suitable for use on full height sliding doors, wardrobe doors and cupboard doors
- Sleek minimal look thanks to discreet fixings. - (This item is fixed via wood screws from inside the recess.

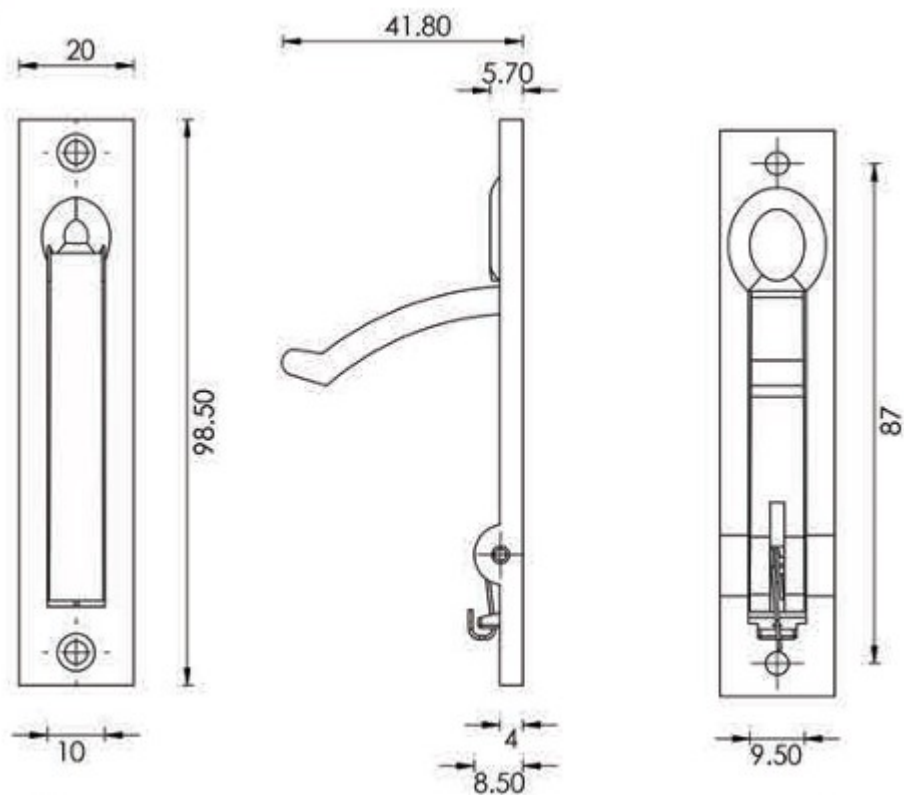
Base Material

- Made from solid brass

Finish

- Polished Chrome

Dimensions



FRONT VIEW

BACK VIEW

- Available in one size only
- 100mm x 20mm
- Projection when opened - 42mm

Fixings

- This handle is fitted via 2 x wood screws on the face of the handle
- Screws are supplied with this item.

Usage

- Suitable for internal or external use

Unit Of Sale

- This item is sold individually - (Each)

Products in this set



42765.1 - Pocket Door Edge Pull - Spring Loaded - 100mm x 20mm - Polished Chrome