
Axle Pulley Wheel - For Sliding Sash Windows - Zinc Plated With Nylon Wheel

Product Images



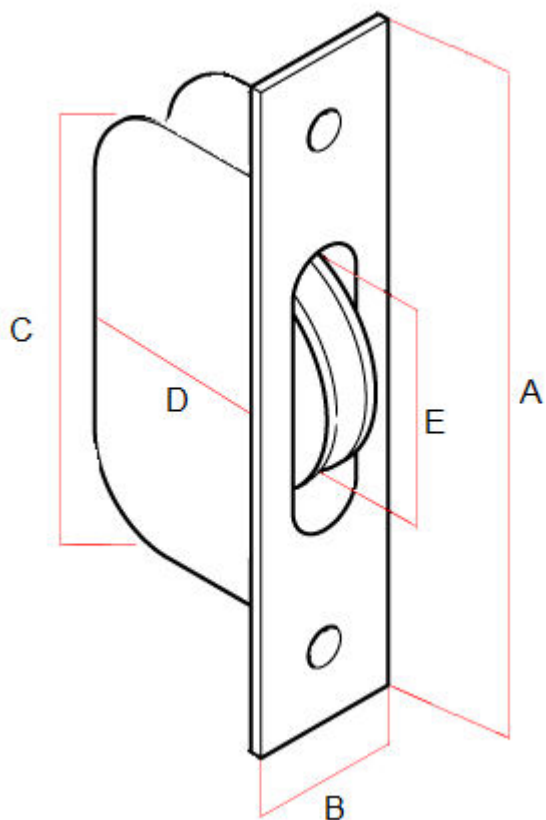
Description

- Sliding sash window axle pulley wheel
- Budget quality
- Nylon wheel

Finish

- Bright zinc plated (Dull silver finish) forend with white nylon wheel

Dimensions



	15178.1	Dimension On Diagram
Forend Height	118mm	A
Forend Width	26mm	B
Body Height	76mm	C
Body Depth	39mm	D
Pulley Wheel Diameter	42mm	E
Pulley Wheel Thickness	11mm	N/A

Important Info Before You Buy

- Suitable for wooden sliding sash windows
- SOLD INDIVIDUALLY

Products in this set



15178.1 - Axle Pulley Wheel - For Sliding Sash Windows With Nylon Wheel - Zinc Plated - Each