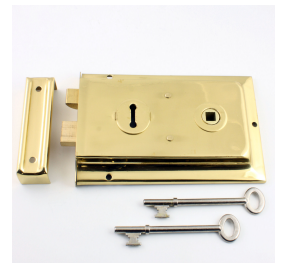


Flanged Style Traditional Surface Mounted Rim Lock - 152mm x 102mm - Polished Brass (Lacquered)

Product Images



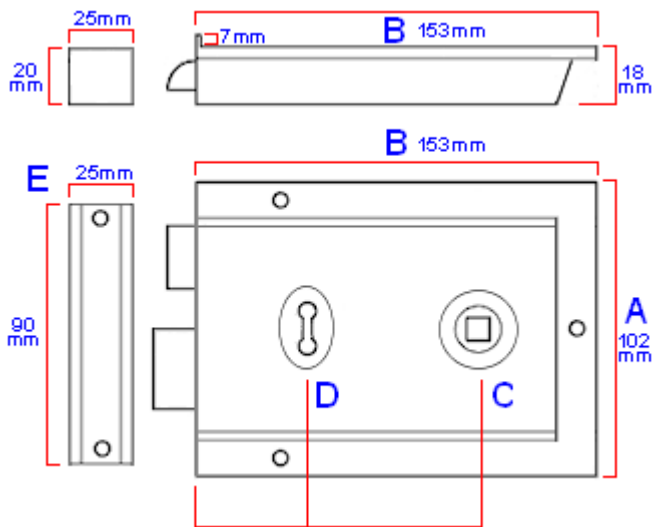
Description

- JL180PB - Traditional style surface mounted rim lock - 6 inches x 4 inches
- This rim lock has a built in latch so must work in conjunction with a set of rim knobs
- Traditional style with flanged boarder

Finish

- Polished brass

Dimensions



	JL180PB	Dimension On Diagram
Case Height	102mm	A
Case Width	153mm	B
Case Depth	18mm	
Spindle Backset (Distance To center)	107mm	C
Key Hole Backset (Distance To center)	44mm	D
Keep - Height (H) x Width (W)	90mm x 25mm	E

Important Info Before You Buy

- Latch can be reversed to suit left or right handed doors
- The Rim lock is fitted to the side of the door that opens towards you
- Key lockable from both sides of the door
- Rim lock is surface mounted on to the door
- No need to mortice or chisel into the door like traditional mortice locks
- This rim lock is a low security product
- Comes supplied with two keys, fixing screws and box keep for the door frame
- Escutcheon (key hole cover) for the opposite side of the door sold separately
- Jedo product from Frelan Hardware

Products in this set



15188.1 - Flanged Style Traditional Rim Lock - Polished Brass (Lacquered) - 152mm x 102mm - Each