
Bathroom Hook Lock For Sliding Pocket Doors - With Turn And Release - Satin Nickel

Product Images



Description

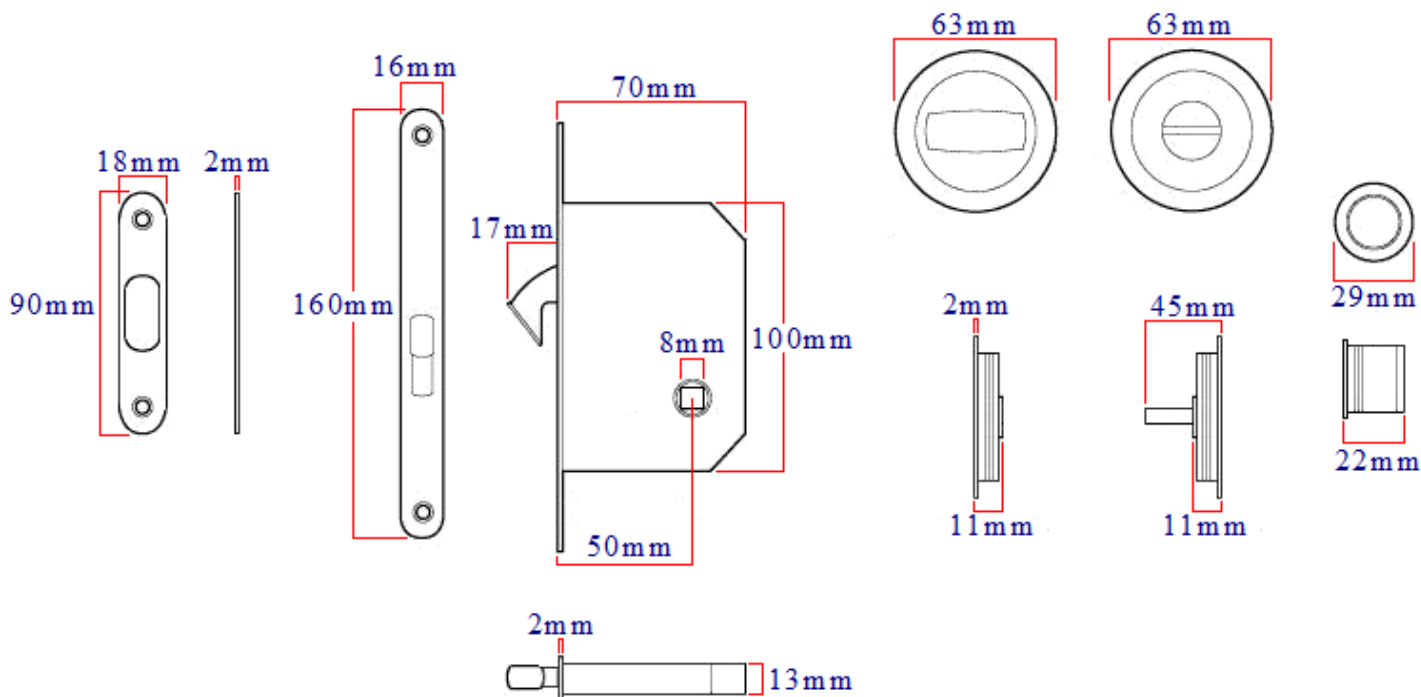
- Satin nickel finish flush fitting bathroom hook lock set for sliding pocket doors.
- Ideal for use on sliding bathroom and toilet doors.
- Complete kit includes.
 - 1x 70mm Deep sliding door bathroom hook lock
 - 1x Flush fitting snib turn and emergency release
 - 1x Edge pull handle to help pull the sliding door out of the wall cavity (pocket).
- The thumb-turn is fitted to the inside of the sliding door which allows the door to be locked and unlocked.
- The release part of the lock is fitted on the outside of the sliding door and allows the door to be unlocked in an emergency by using a coin of screw driver.
- Suitable for use on doors between 35mm to 45mm thick.

Finish

- Satin nickel

Dimensions

- Lock Case - 70mm deep (50mm backset) mortise hook lock.
- Turn & Release - 63mm Diameter x 11mm depth.
- Edge Pull - 29mm diameter x 22mm depth.
- To Suit Door Thickness - 35mm to 45mm thick.



Products in this set



43084.1 - Bathroom Hook Lock With Round Turn And Release For Sliding Pocket Doors - Satin Nickel