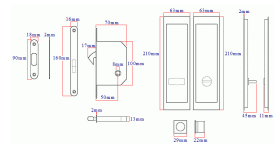


## Large Rectangular Shape Inset Style Flush Fitting Handles & Bathroom Hook Lock Set With Turn & Release For Sliding Pocket Doors 210mm x 63mm - Polished Stainless Steel

### Product Images



### Description

- Large rectangular shape flush fitting handles with bathroom turn and release and hook lock for sliding pocket doors.
- Measuring 210mm x 63mm this bathroom lock set is ideal for oversize and tall sliding doors.
- Ideal for use on sliding bathroom and toilet doors.
- Complete kit includes.
  - 1x 70mm Deep sliding door bathroom hook lock
  - 1x set of 210mm x 63mm flush fitting handles with snib turn and emergency release
  - 1x Edge pull handle to help pull the sliding door out of the wall cavity (pocket).
- The thumb-turn is fitted to the inside of the sliding door which allows the door to be locked and unlocked.

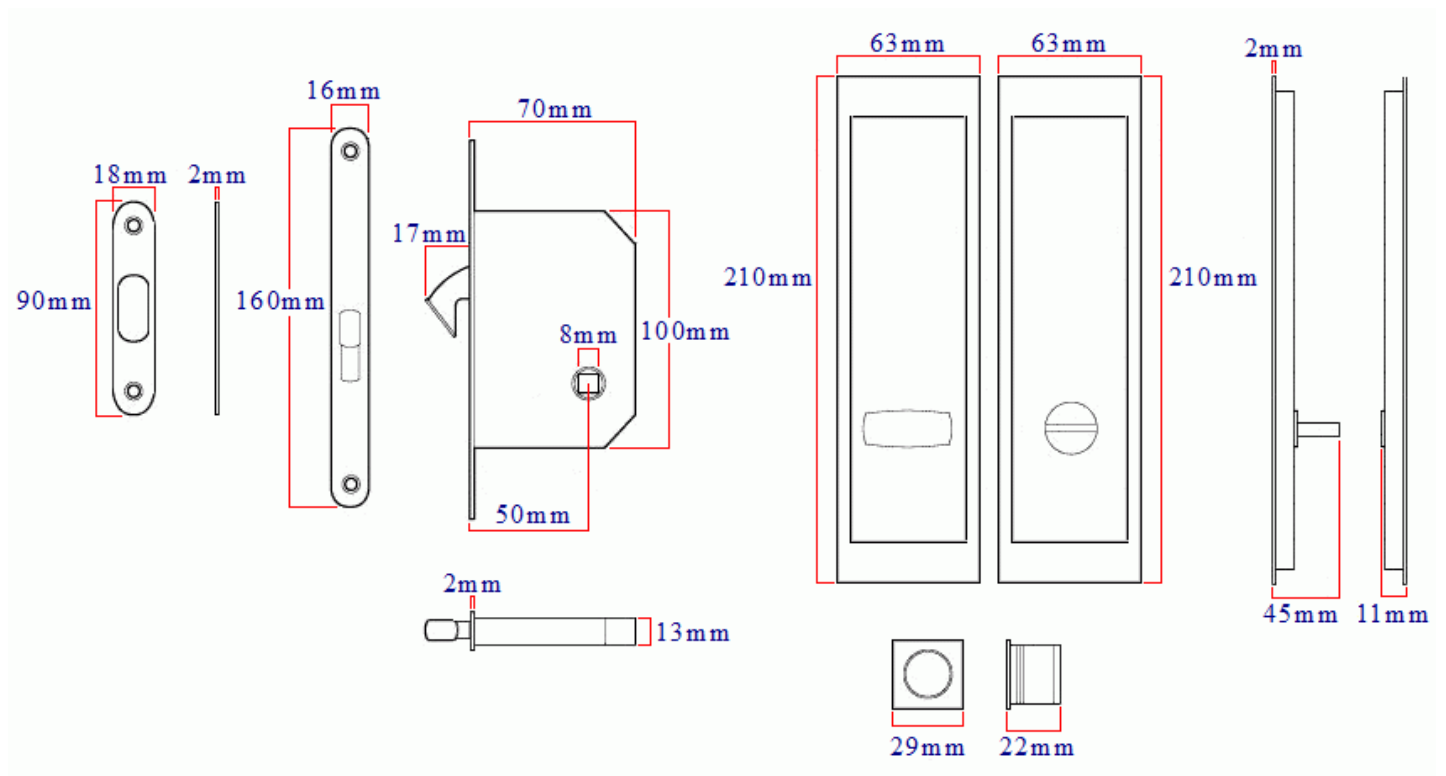
- The release part of the lock is fitted on the outside of the sliding door and allows the door to be unlocked in an emergency by using a coin or screw driver.
- Suitable for use on doors between 35mm to 45mm thick.

#### Finish

- Polished stainless steel - (shiny finish).

#### Dimensions

- Lock Case - 70mm deep (50mm backset) mortice hook lock.
- Turn & Release - 210mm x 63mm x 11mm depth.
- Edge Pull - 29mm x 29mm x 22mm depth.
- To Suit Door Thickness - 35mm to 45mm thick.



#### Products in this set



43095.1 - Large Rectangular Shape Inset Style Flush Fitting Handles & Bathroom Hook Lock Set With Turn & Release For Sliding Pocket Doors 210mm x 63mm - Polished Stainless Steel