

---

## Double Locking Surface Mounted Night Latch - Matt Bronze (Lacquered)

### Product Images

---



## Description

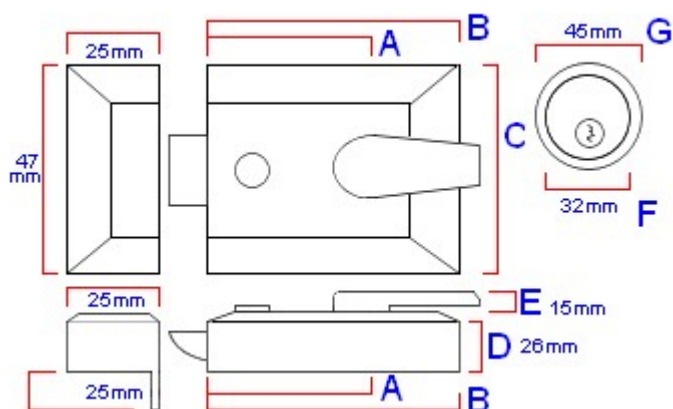
# TO SUIT MAXIMUM DOOR THICKNESS OF 54MM

- Double locking surface mounted night latch

## Finish

- Matt bronze

## Dimensions



Available in two sizes - Backset size (Distance from edge of door to centre of the cylinder)

**43460.1 - 60mm Case Depth (40mm Backset)**

**43460.2 - 92mm Case Depth (60mm Backset)**

	43460.1	43460.2	Dimension On Diagram
<b>Backset</b>	40mm	60mm	A
<b>Case Width</b>	60mm	92mm	B
<b>Case Height</b>	63mm	63mm	C
<b>Case Depth</b>	26mm	26mm	D
<b>Lever Projection From Case</b>	15mm	15mm	E
<b>Cylinder Diameter</b>	32mm	32mm	F
<b>Cylinder Ring Outside Diameter</b>	45mm	45mm	G

## Important Info Before You Buy

- Suitable for inward opening doors only
- Night latch can be dead-locked (double locked) from the outside by a full turn of the key
- Latch bolt is withdrawn by handle from inside and by turn of key from outside.
- Bolt can be deadlocked or held back by sliding the thumb button on lock case
- Suitable for doors up to 54mm thickness
- For doors with narrow stiles use the 40mm backset

- Comes with cylinder, cylinder ring and two keys

## Products in this set

---



**43460.1 - Double Locking Surface Mounted Night Latch - 60mm Case Depth (40mm Backset) - Matt Bronze (Lacquered) - Each**



**43460.2 - Double Locking Surface Mounted Night Latch - 92mm Case Depth (60mm Backset) - Matt Bronze (Lacquered) - Each**