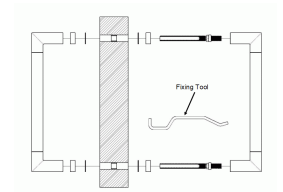


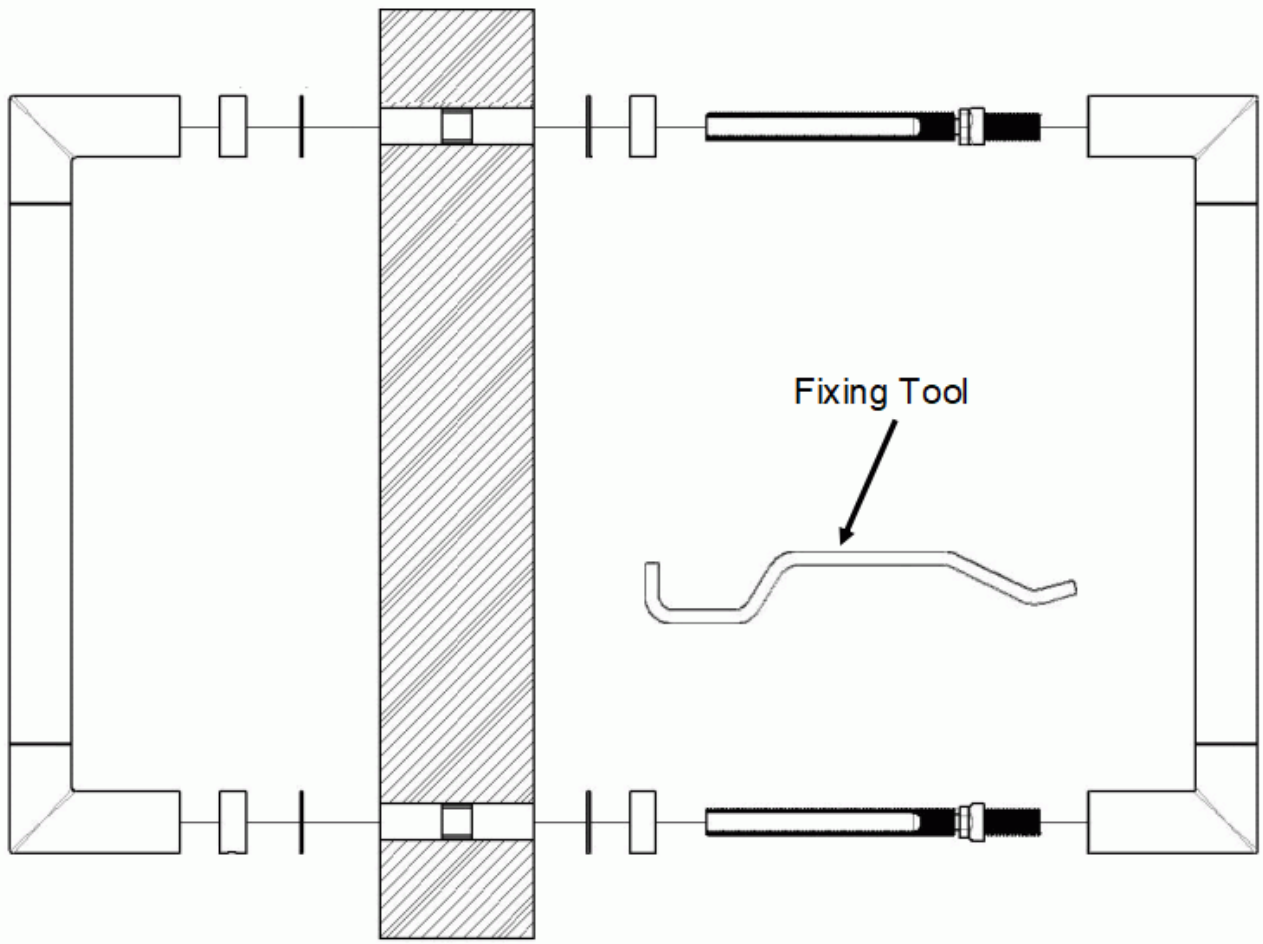
Back To Back Fixing Kit For Tubular Shape Pull Handles - Satin Stainless Steel

Product Images



Description

- Satin stainless steel back to back fixing kit for tubular design pull handles.
- Allows 2x bolt through fixing pull handles to be fitted to either side of a door as a back to back pair.
- Suitable for wooden, metal or glass doors.
- Suits door thicknesses between 12mm - 55mm
- Satin Stainless Steel
- Available in four diameters* 19mm, 22mm, 25mm or 30mm
- ***Back to back kit must match the diameter of the pull handle or the "post" diameter if you're ordering a T-Bar style guardsman pull handle.**
- Please see the downloads tab for installation instructions.
- Supplied as a pair (to connect 2 x pull handles together).



Products in this set



43480.1 - Back To Back Fixing Kit For Pull Handles - 19mm Diameter - To Suit 19mm Diameter Pull Handles & Post Diameters - Satin Stainless Steel - (Pair)



43480.2 - Back To Back Fixing Kit For Pull Handles - 22mm Diameter - To Suit 22mm Diameter Pull Handles & Post Diameters - Satin Stainless Steel - (Pair)



43480.3 - Back To Back Fixing Kit For Pull Handles - 25mm Diameter - To Suit 25mm Diameter Pull Handles & Post Diameters - Satin Stainless Steel - (Pair)



43480.4 - Back To Back Fixing Kit For Pull Handles - 30mm Diameter - To Suit 30mm Diameter Pull Handles & Post Diameters - Satin Stainless Steel - (Pair)