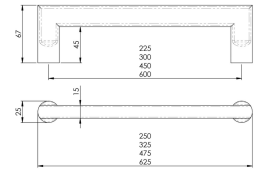


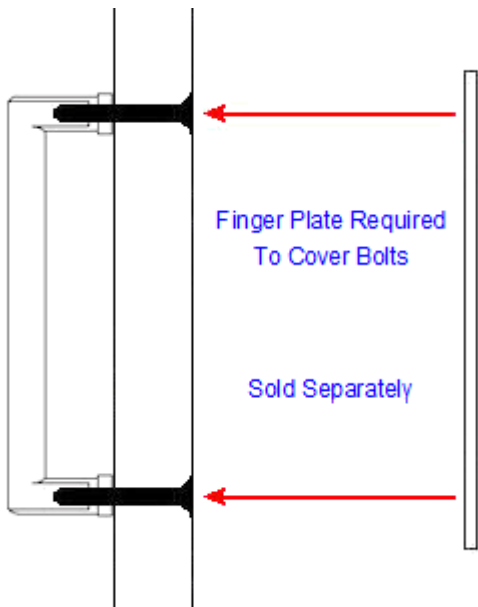
Designer Mitred Shape Bolt Through Fixing Pull Handle - Grade 304 Satin Stainless Steel

Product Images



Description

- Architectural quality satin stainless steel pull handle
- Mitred design with a curved rectangular shape
- Made from grade 304 stainless steel ideal making it ideal for internal or external doors
- Suitable for use on half hour FD30 and one hour FD60 fire doors tested and passed to BS EN 1634-1 2000
- Bolt through the door design see below diagram



Above diagram shows how a bolt through pull handle is fitted to a wooden door

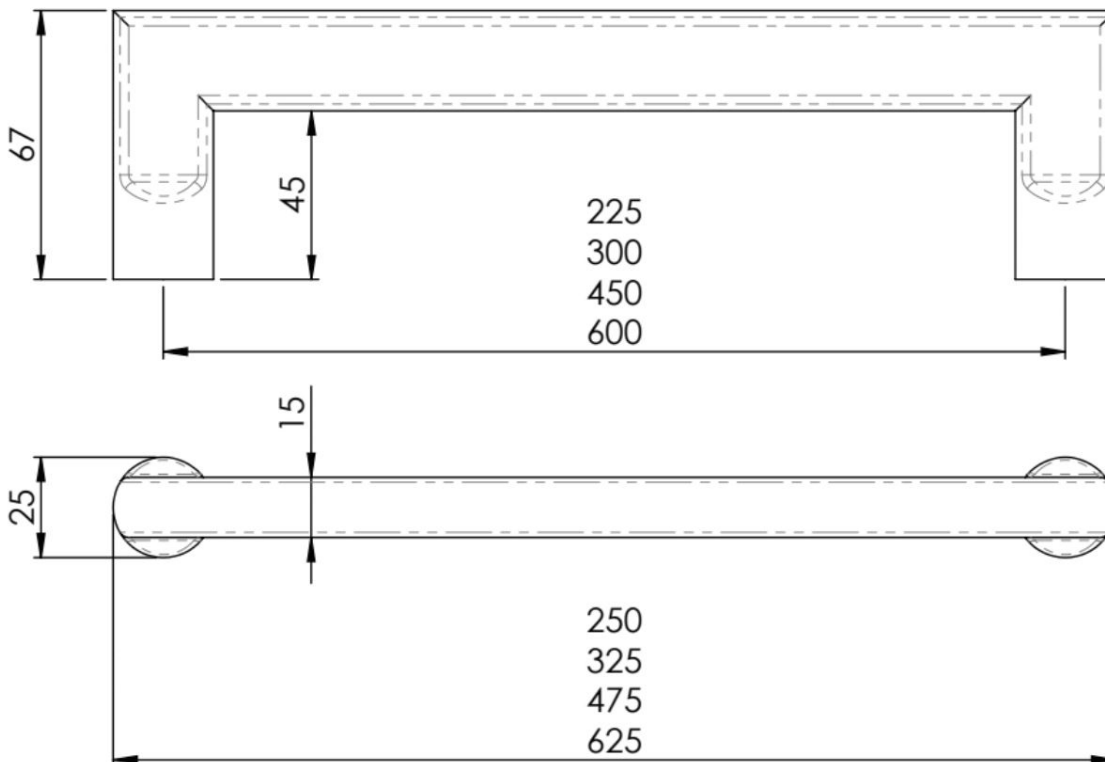
Alternative Fixing Options:

- Bolt through fixing with cover caps (where no finger plate is wanted on the reverse side) - see related product - **43478**.
- Back to back pair (kit for fitting pull handles to both sides of the door) - see related product - **43480**.
- Face fixing with roses (kit for situations where the handle cannot be fixed from the rear) - see related product - **43484**.

Finish

- Satin stainless steel

Dimensions



Item Overall Length Bolt centers Diameter Projection

43488.2 325mm 300mm 25mm 67mm

43488.3 475mm 450mm 25mm 67mm

43488.4 625mm 600mm 25mm 67mm

Important Info Before You Buy

- Suitable for wooden doors
- Pull handles are best suited for areas of high or heavy use such as offices, schools and public buildings
- This pull handle is sold individually - (each).

Products in this set



43488.2 - Designer Mitred Shape - Bolt Through Fixing Pull Handle - 325mm Length - (300mm Bolt Centres) - Satin Stainless Steel - Each



43488.3 - Designer Mitred Shape - Bolt Through Fixing Pull Handle - 475mm Length - (450mm Bolt Centres) - Satin Stainless Steel - Each



43488.4 - Designer Mitred Shape - Bolt Through Fixing Pull Handle - 625mm Length - (600mm Bolt Centres) - Satin Stainless Steel - Each