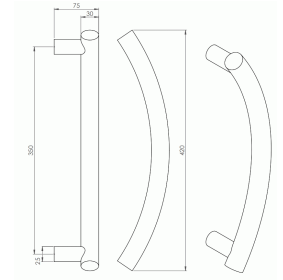


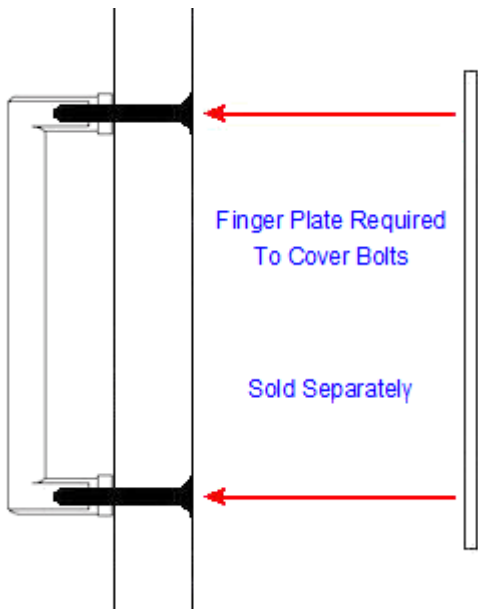
Curved Shape Guardsman Style Through Fixing Pull Handle - 420mm Length - Grade 316 - Satin Stainless Steel

Product Images



Description

- Architectural quality satin stainless steel pull handle
- Curved shape, guardsman style with a tubular handle.
- 420mm overall length
- Made from grade 316 stainless steel ideal making it ideal for internal or external doors
- Suitable for use on half hour FD30 and one hour FD60 fire doors tested and passed to BS EN 1634-1 2000
- Bolt through the door design see below diagram



Above diagram shows how a bolt through pull handle is fitted to a wooden door

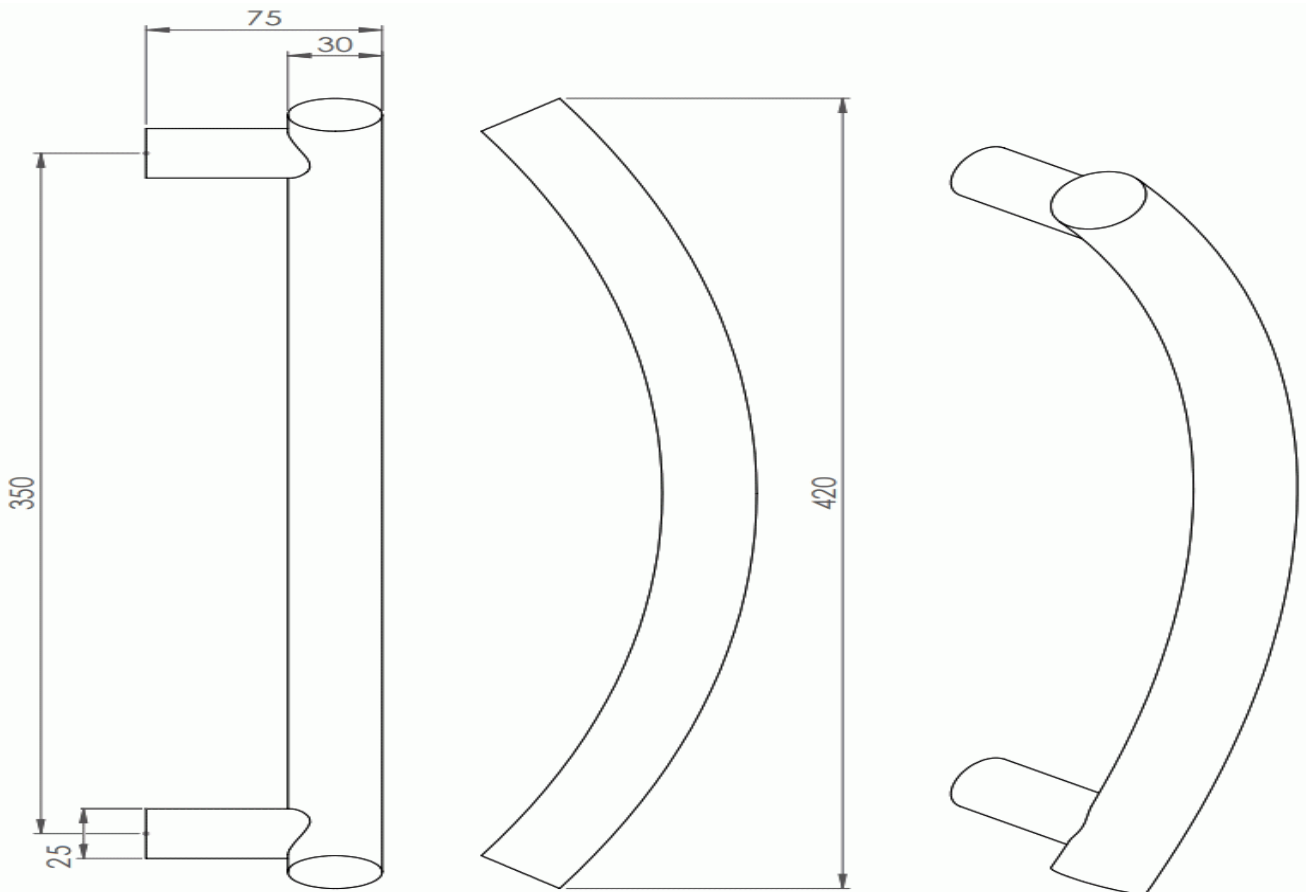
Alternative Fixing Options:

- Bolt through fixing with cover caps (where no finger plate is wanted on the reverse side) - see related product - **43478**.
- Back to back pair (kit for fitting pull handles to both sides of the door) - see related product - **43480**.
- Face fixing with roses (kit for situations where the handle cannot be fixed from the rear) - see related product - **43484**.

Finish

- Satin stainless steel

Dimensions



Item Overall Length Bolt centers Diameter Fixing Post Diameter Projection

43489.1 420mm 350mm 30mm 25mm 75mm

Important Info Before You Buy

- Suitable for wooden doors
- Pull handles are best suited for areas of high or heavy use such as offices, schools and public buildings
- This pull handle is sold individually - (each).

Products in this set



43489.1 - Curved Shape Guardsman Style Through Fixing Pull Handle - 420mm Length - (350mm Bolt Centres) - Satin Stainless Steel - Each