

Bathroom Turn & Release Set - With Red & White Indicator - Grade 4 Collection - Satin Stainless Steel

Product Images



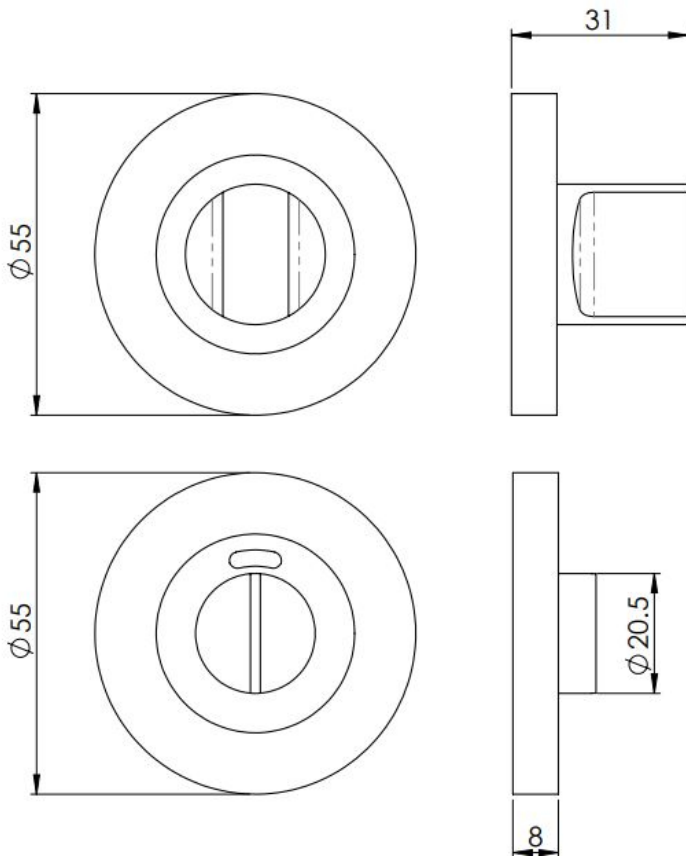
Description

- Bathroom turn & release set
- Large turn meets the dimensional requirements of BS8300 and Approved Doc M (ADM)
- Red & white visual indicator
- From the commercial grade 4 collection, designed for use in commercial and public buildings
- Screw on rose
- A turn and release consists of two parts
 - 1 - a snib turn which is fitted on the inside of the bathroom and is used to lock the bathroom or toilet by twisting the snib a quarter turn to the left or right
 - 2 - a release which is fitted on the outside of the bathroom. If someone gets locked in the bathroom or toilet the snib can be released in an emergency by twisting a coin or screwdriver in the slotted part of the rose a quarter turn
- This turn and release set uses a 5mm x 5mm spindle (the metal shaft that goes through the door) this suits standard UK bath locks
- A turn and release is only the cosmetic part that you see on the outside of the door and requires a mechanism to work in conjunction with it, such as a bathroom lock or deadbolt

Finish

- Satin stainless steel - grade 316

Dimensions



- Rose Diameter - 55mm
- Rose Depth - 8mm

Important Info Before You Buy

- Can also be used as a privacy lock for bedrooms
- Supplied with 5mm spindle
- PLEASE NOTE - THIS ITEM MUST BE USED IN CONJUNCTION WITH A DEADBOLT OR BATHROOM MORTICE LOCK

Products in this set



43509.1 - Bathroom Turn & Release Set - With Red & White Indicator - Grade 4 Collection - Satin Stainless Steel