
Flush Fitting Pull Out Ring Handle - Squash Court Style Door Handle - Polished Brass Plated

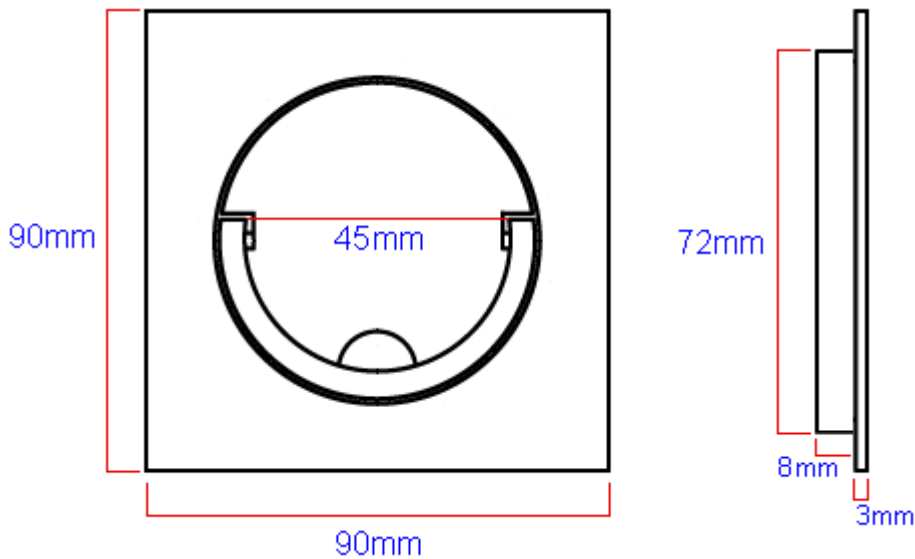
Product Images



Description

- Flush fitting pull out ring style door handle, inset design ideal for use on doors that need to fold back against a wall.
- Also known as a squash court handle, this style of door handle is often found on squash court doors as it sits completely flush with the face of the door. (Flush style means nothing projects from the door for a player or ball to hit.)
- Designed to work with a tubular latch this item can be used as a working door handle.
- 8mm follower built into back of the ring handle to suit a UK standard 8mm x 8mm spindle.
- Designed to be morticed (cut) into the face of a door so it sits flush with the surface.
- Shallow design only 11mm thick if fitting completely flush.
- Made from stainless steel this item is a polished brass plated finish

Size Details



Item Code	Height	Width	Recess Depth	Recess Diameter	Backplate Thickness	Ring Pull Size (Internal Dimension)
43533.1	90mm	90mm	8mm	72mm	3mm	45mm

Base Material

- Made from stainless steel.

Finish Details

- Polished brass plated

Fixings

- This handle is fitted via 4 x countersunk wood screws through the face of the backplate.

Usage

- If fitting two flush pulls to a door (one either side) in conjunction with a tubular latch the minimum thickness door required is 35mm.
- Suitable for internal or external use.

Unit Of Sale

- This item is sold individually - (Each)

Products in this set



43533.1 - Flush Fitting Squash Court Style Door Handle - Polished Brass Plated - Each