
Flush Fitting Rectangular Ring Pull - Available In Two Sizes - Polished Brass (Lacquered)

Product Images

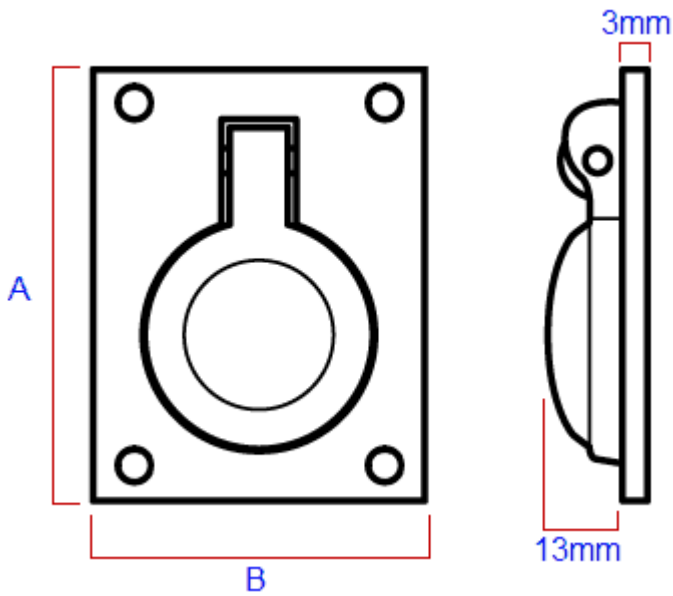


Description

- A flush fitting, inset handle with pull-out ring pull.
- Ideal for use on bi-folding doors, cupboards, kitchen cabinet doors, wardrobes and trapdoors and sliding doors.
- The ring sits flush within the rectangular backplate when not in use. It can then be pulled out from the plate to allow you to open your door.
- This item has to be morticed (cut) into the door to allow it to sit fit flush.
- Available in two sizes

- Shiny highly polished brass finish.

Size Details



Item Code	Height (A)	Width (B)	Depth	Backplate Thickness
15231.1	50mm	39mm	13mm	3mm
15231.2	64mm	51mm	13mm	3mm

Base Material

- Made from solid brass.

Finish Details

- Polished brass - highly polished, shiny finish.
- This item has been lacquered to help protect and maintain the shiny brass finish.

Alternative Finishes Available

- Antique brass
- Polished chrome
- Satin chrome

Fixings

- This handle is fitted via 4 x countersunk wood screws through the face of the backplate.
- Matching screws are supplied with this item.

Usage

- Suitable for internal or external use.
- To fit this handle completely flush a minimum door thickness of 18mm is required.

Unit Of Sale

- This item is sold individually - (Each)

Products in this set



15231.2 - Flush Fitting Rectangular Ring Pull - Polished Brass (Lacquered) - 64mm x 51mm - Each



15231.1 - Flush Fitting Rectangular Ring Pull - Polished Brass (Lacquered) - 50mm x 39mm - Each