
Half Moon Shape - Face Fix Cup Handle - Antique Brass (Gloss Lacquered)

Product Images



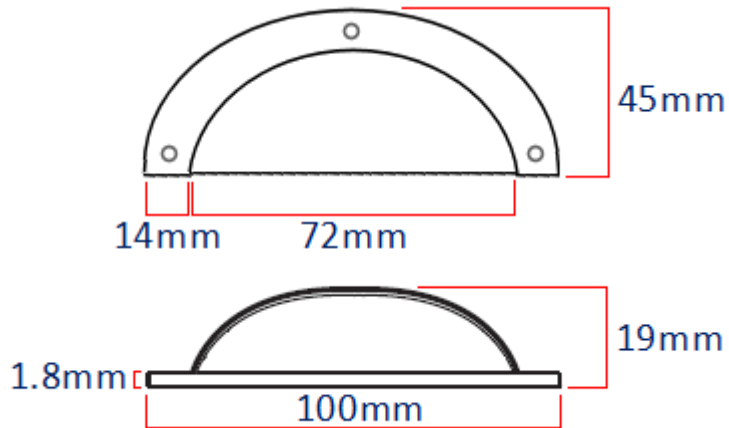
Description

- Traditional half moon shape cup handle.
- Traditional face fix design via supplied wood screws.
- Light antique brass finish.
- This popular, classic design handle is suitable for use in traditional areas including, kitchen cabinet doors, wardrobes, cupboard doors and drawers.

- Also suitable for use as a sash handle to lift up a sliding sash window.

Dimensions

- 100mm x 45mm



Base Material

- Made from solid brass.

Finish Details

- Light antique brass.

Fixings

- This handle is face fixed to the door, drawer or window via traditional slotted wood screws.
- Supplied with matching raised head slotted screws.

Unit Of Sale

- This cabinet handle is sold individually - (Each).

Products in this set



43578.1 - Half Moon Shape - Face Fix Cup Handle - 100mm Width - Antique Brass (Gloss Lacquered) - (Each)