

---

## Half Moon Shape - Face Fix Cup Handle - Satin Nickel

### Product Images

---



### Description

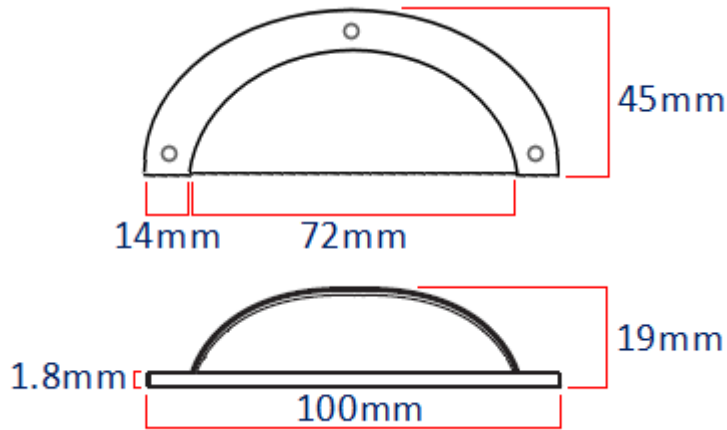
---

- Traditional half moon shape cup handle.
- Traditional face fix design via supplied wood screws.
- Satin nickel (brushed finish).
- This popular, classic design handle is suitable for use in traditional areas including, kitchen cabinet doors, wardrobes, cupboard doors and drawers.

- Also suitable for use as a sash handle to lift up a sliding sash window.

## Dimensions

- 100mm x 45mm



## Base Material

- Made from solid brass.

## Finish Details

- Satin nickel.

## Fixings

- This handle is face fixed to the door, drawer or window via traditional slotted wood screws.
- Supplied with matching raised head slotted screws.

## Unit Of Sale

- This cabinet handle is sold individually - (Each).

## Products in this set



43585.1 - Half Moon Shape - Face Fix Cup Handle - 100mm Width - Satin Nickel - (Each)