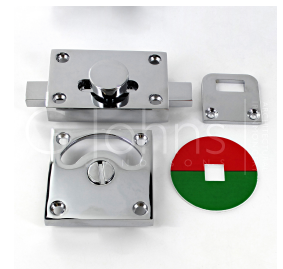


## Traditional Vacant & Engaged Indicator Bolt For Bathroom & Toilet Doors - Polished Chrome

### Product Images



### Description

- Traditional Vacant & Engaged Indicator Bolt For Bathroom & Toilet Doors
- Face fixed
- A turn and release consists of two parts
  - 1 - a snib turn which is fitted on the inside of the bathroom and is used to lock the bathroom or toilet by twisting the snib a quarter turn to the left or right
  - 2 - a release which is fitted on the outside of the bathroom. If some gets locked in the bathroom or toilet the snib can be released in an emergency by twisting a coin or screwdriver in the slotted part of the rose a quarter turn
- A turn and release is only the cosmetic part that you see on the outside of the door and does not require a mechanism to work in conjunction with it, such as a bathroom deadbolt

- Designed for use on inward opening doors
- Vacant & Engaged sign can be turned over to show red / green instead

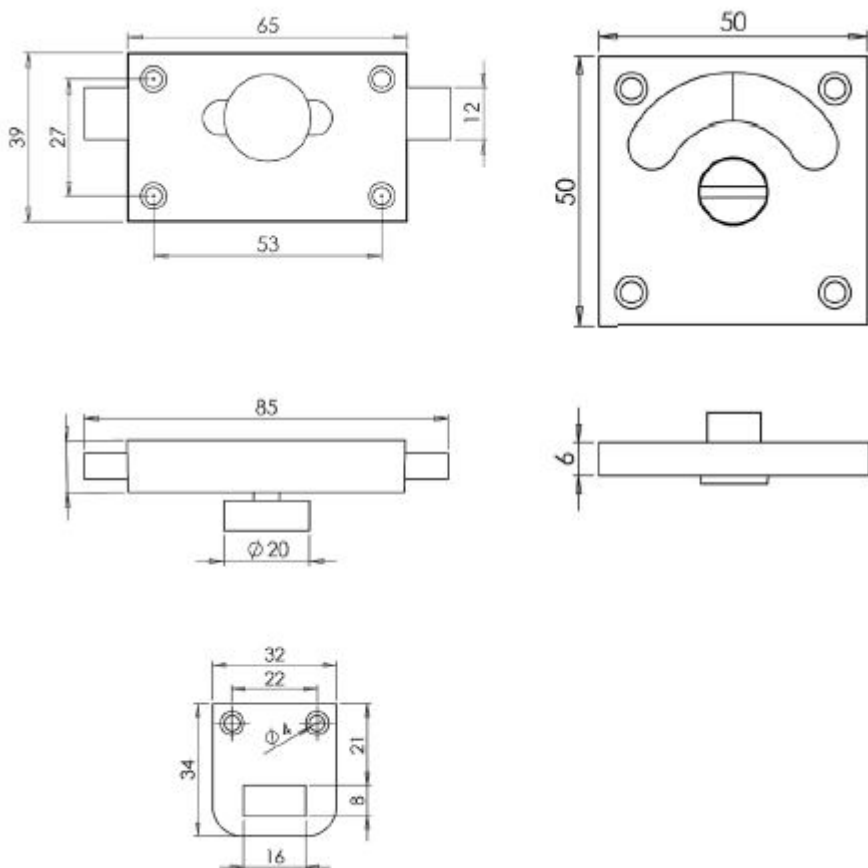
#### Base Material

- Solid Brass

#### Finish

- Polished Chrome

#### Dimensions



- Outside plate Size (coin release side): 50mm x 50mm
- Outside plate Size (Turn side): 65mm x 39mm

#### Important Info Before You Buy

- Can also be used as a privacy lock for bedrooms
- Supplied with all fixings
- Sold as a set

#### Products in this set



15257.1 - Traditional Vacant & Engaged Indicator Bolt For Bathroom & Toilet Doors - Polished Chrome - Set