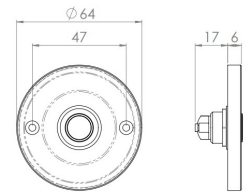


Round Bell Push - 64mm Diameter - Polished Brass (Lacquered)

Product Images



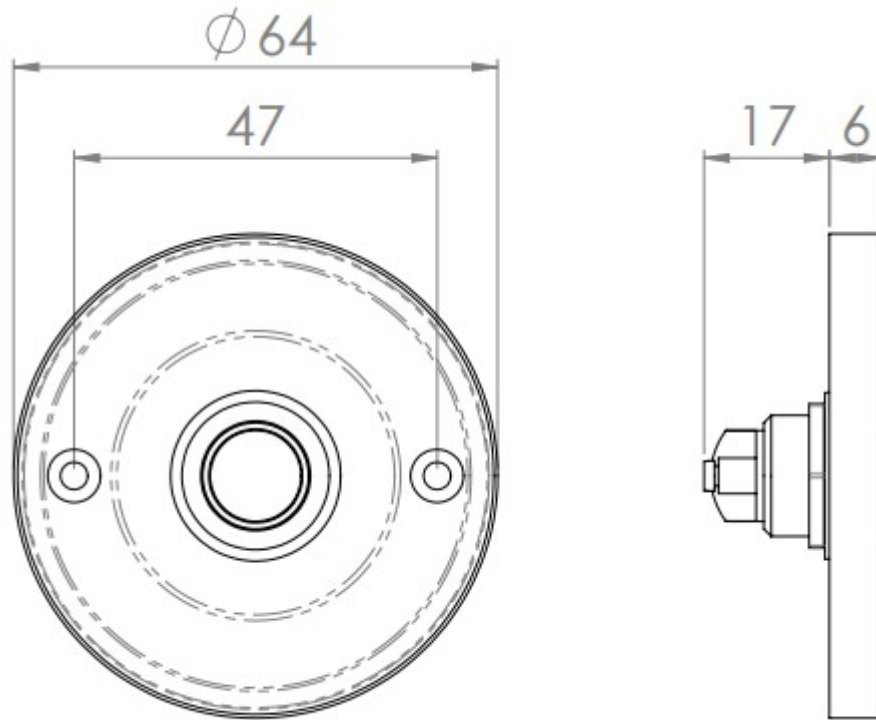
Description

- Architectural quality round bell push

Finish

- Polished brass

Dimensions



- 64mm Diameter
- 47mm Fixing Centres

Important Info Before You Buy

- Round bell push requires a 22mm diameter drilled a depth of 20mm into wall or frame for the push to sit flush
- Suitable for mains powered (via a transformer) or battery powered systems

Products in this set



44025.1 - Round Bell Push - 64mm Diameter - Polished Brass (Lacquered) - Each