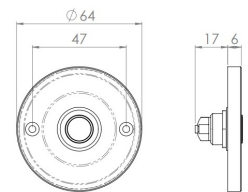


---

## Round Bell Push - 64mm Diameter - Satin Chrome

### Product Images

---



### Description

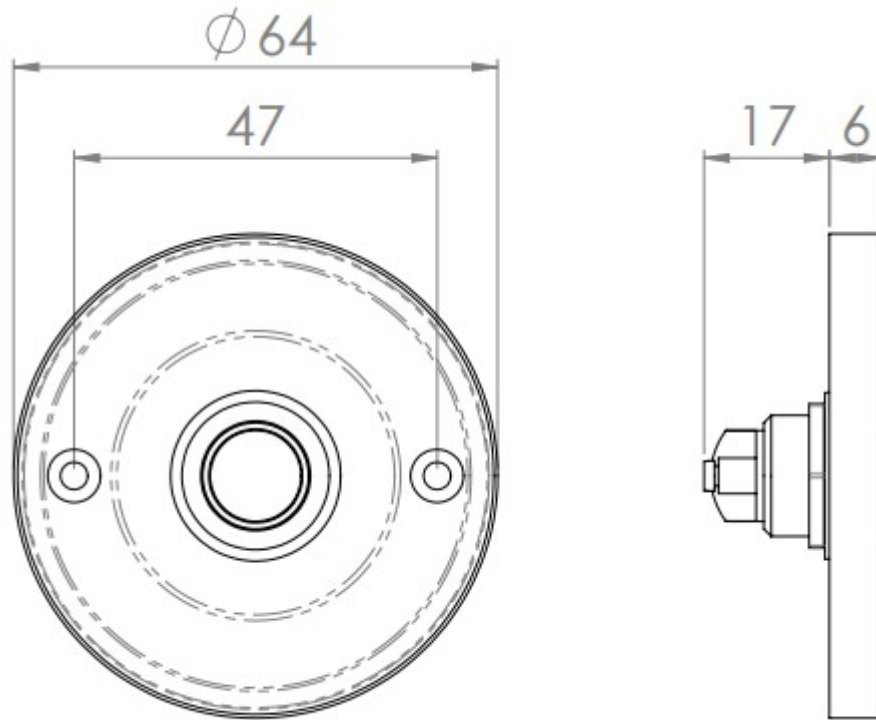
---

- Architectural quality round bell push

#### Finish

- Satin Chrome

#### Dimensions



- 64mm Diameter
- 47mm Fixing Centres

**Important Info Before You Buy**

- Round bell push requires a 22mm diameter drilled a depth of 20mm into wall or frame for the push to sit flush
- Suitable for mains powered (via a transformer) or battery powered systems

**Products in this set**



44027.1 - Round Bell Push - 64mm Diameter - Satin Chrome - Each