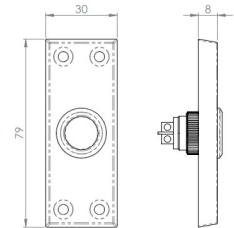


Rectangular Shaped Bell Push - 79mm x 30mm - Polished Brass (Lacquered)

Product Images



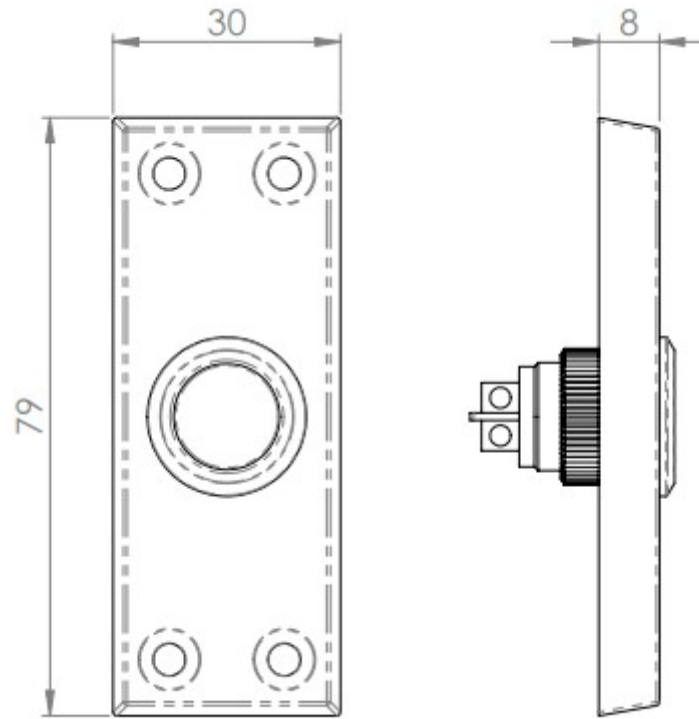
Description

- Architectural quality rectangular shaped bell push

Finish

- Polished brass

Dimensions



- 79mm x 30mm
- 8mm Depth

Important Info Before You Buy

- Round bell push requires a 22mm diameter drilled a depth of 20mm into wall or frame for the push to sit flush
- Suitable for mains powered (via a transformer) or battery powered systems

Products in this set



44028.1 - Rectangular Shaped Bell Push - 79mm x 30mm - Polished Brass (Lacquered) - Each