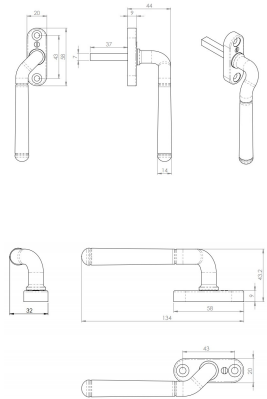


## Cranked Locking Espagnolette Handle - Window Fastener - Left & Right Hand - Satin Chrome

### Product Images



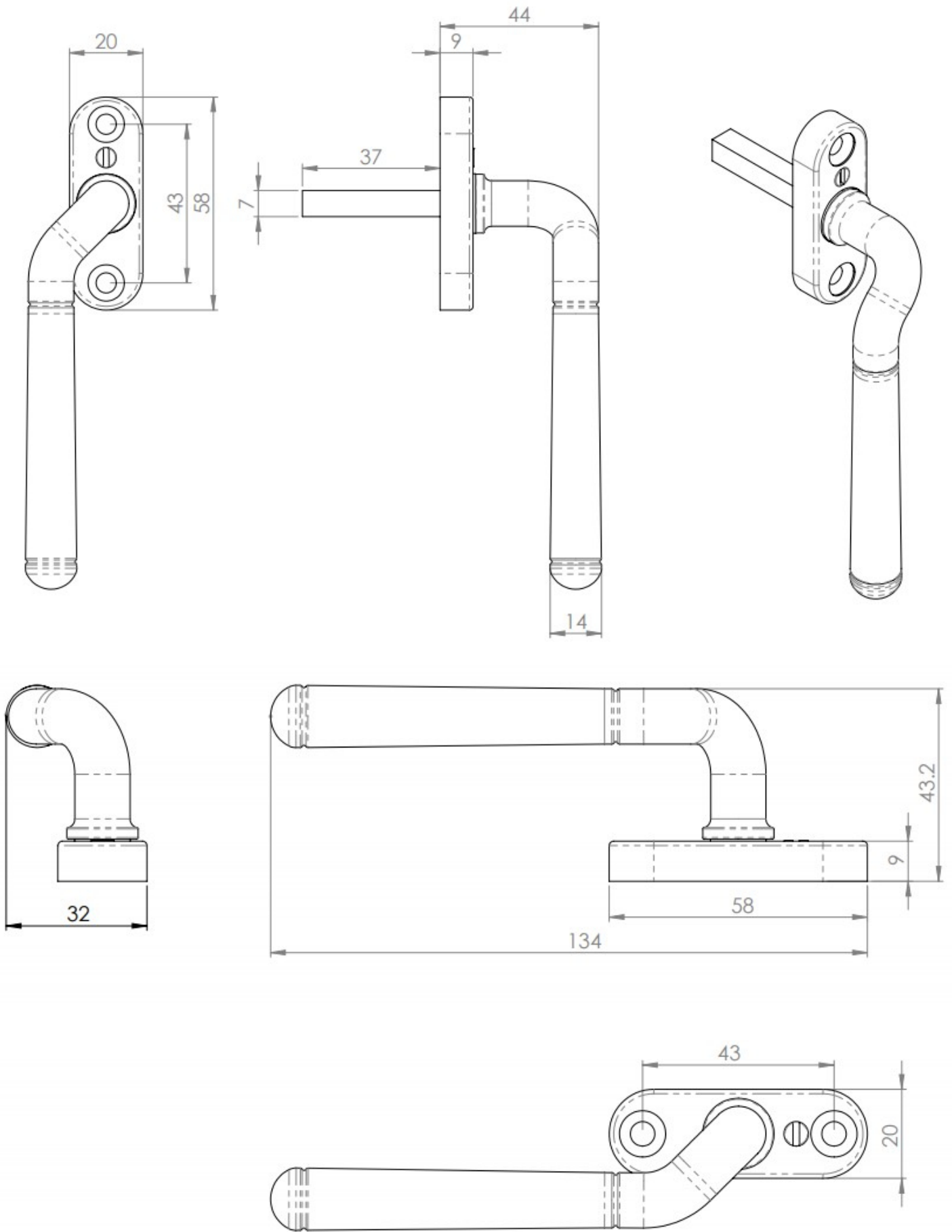
### Description

- Cranked Locking Espagnolette Handle

### Finish

- Satin Chrome

### Dimensions



#### Important Info Before You Buy

- Suitable for wooden windows
- Comes supplied with fixing screws

## Products in this set

---



44033.1 - Cranked Locking Espagnolette Handle - Window Fastener - Left Hand - Satin Chrome - Each



44033.2 - Cranked Locking Espagnolette Handle - Window Fastener - Right Hand - Satin Chrome - Each