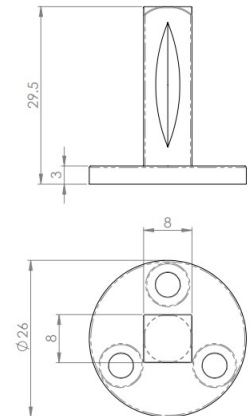


Taylor Spindle - 8mm x 8mm

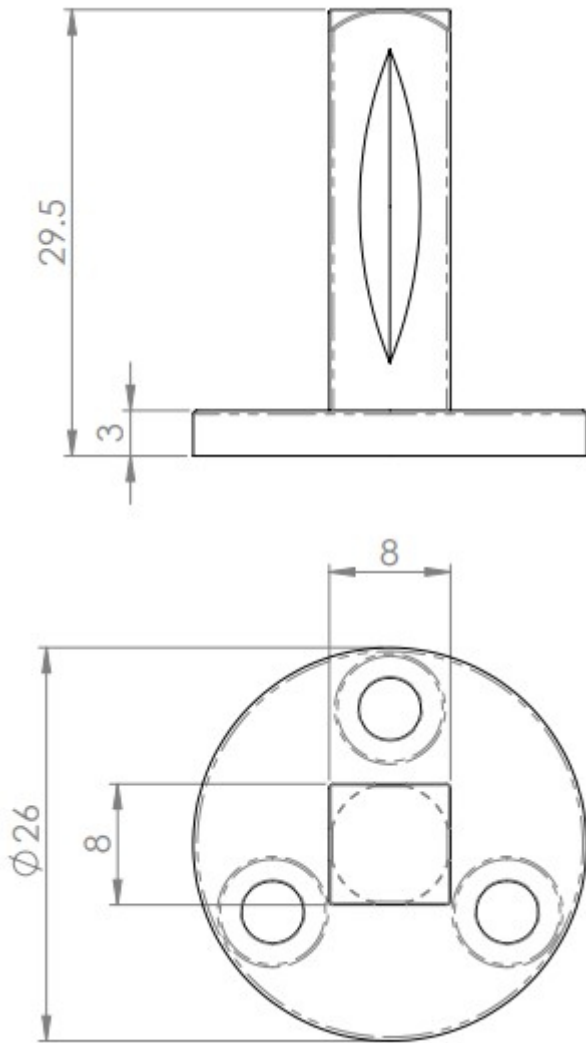
Product Images



Description

- Taylor Spindle (8mm) for fixing handles dead.
- A Taylor spindle is also known as a Dummy spindle is used where a knob or handle is required to be fixed dead.
- This means the knob or handle cannot be turned or depressed as per their normal operation. In this manner, the knob or handle are pulled to open the door. Usually, this arrangement will be used in conjunction with a roller ball latch.

Size Details



Finish Details

- Steel

Fixings

- Supplied with screws

Usage

- Suitable for internal or external use.

Unit Of Sale

- This item is sold individually - (Each)

Products in this set



44074.1 - Taylor Spindle - 8mm x 8mm - Each