
Half Spindle Front Fix - 8mm x 8mm

Product Images

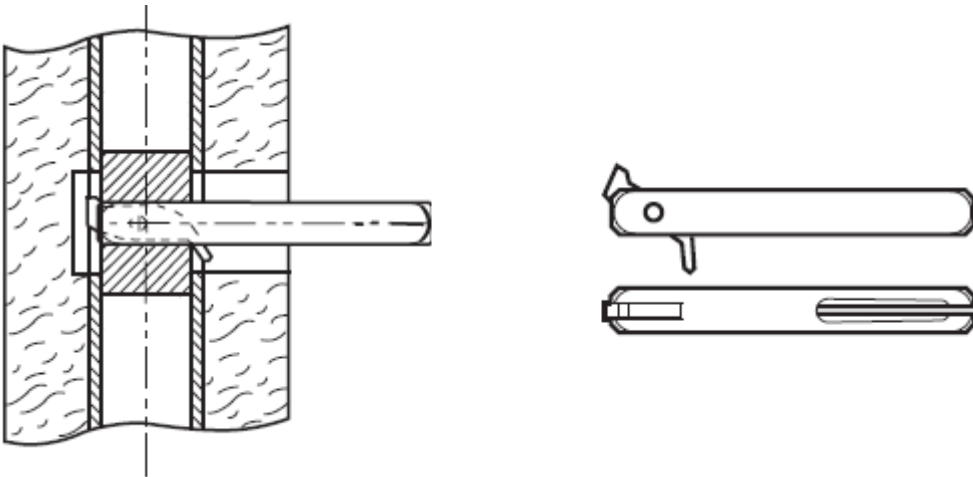


Description

- Used to have a operational handle on one side of the door.
- Designed to pass through the follower of your lock and as you pull it back out again to hold in place.

Size Details

- 8mm x 8mm Spindle
- 60mm Long



Finish Details

- Steel

Usage

- Suitable for internal or external use.

Unit Of Sale

- This item is sold individually - (Each)

Products in this set



44076.1 - Half Spindle Front Fix - 8mm x 8mm - Each