

---

## High Quality - Spoon End Design - Reversible Casement Window Fastener - Satin Chrome

### Product Images

---



### Description

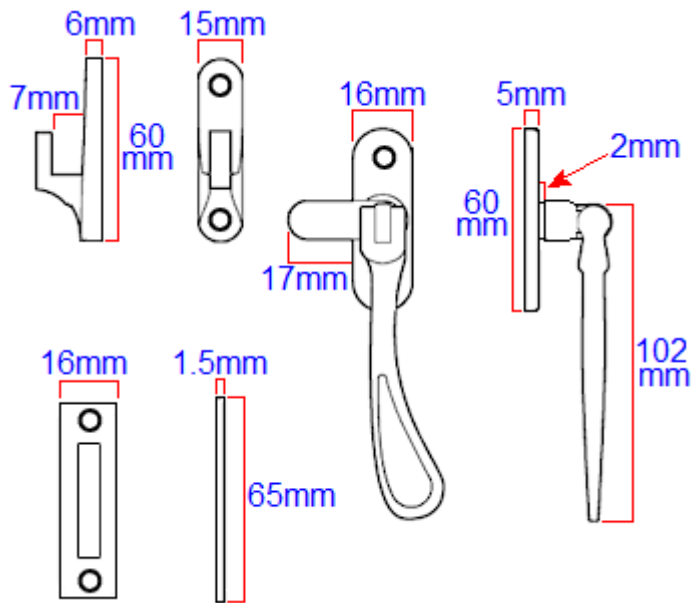
---

- Heavy architectural quality
- Spoon end design handle
- Traditional pattern casement window fastener
- A casement fastener is fixed on the side of the window and is the handle used to keep the window closed
- This fastener is reversible so can be used on windows hung on the left or right

### Finish

- Satin chrome - (brushed finish)

### Dimensions



- Back Plate - Height - 60mm x Width - 16mm
- Handle Length - 102mm
- Tag Length - 17mm
- Step Distance - 2mm
- Mortice Plate - Height - 65mm x Width - 16mm
- Hook Plate - Height - 60mm x Width - 15mm

#### Important Info Before You Buy

- Suitable for wooden windows
- Comes supplied with mortice plate and hook plate
- For standard outward opening windows the mortice plate is used
- For double windows or where the window sits flush with the frame the hook plate is used
- This fastener is not suitable for use on weather stripped windows
- Matching window stay to open and close the window also available

#### Products in this set



15335.1 - Architectural Quality - Reversible Window Fastener - Satin Chrome - Each