
Euro Profile Single Cylinder - Thumb-Turn Only - 45mm Length - Polished Brass (Lacquered)

Product Images



Description

- Euro profile single thumb turn only cylinder.
- For operation from one side of the door only.

- Polished brass
- Designed to be used in conjunction with Euro profile dead locks.

Operation

- Single cylinder - thumb operation from the inside side of the door only.
- The door can be locked and un-locked by turning the thumb turn from the inside only (with single cylinders there is no facility to lock a door from the inside).
- Suitable for use on wooden, UPVC and metal doors.
- Must be used in conjunction with some form of Euro profile mortice lock (sold separately).

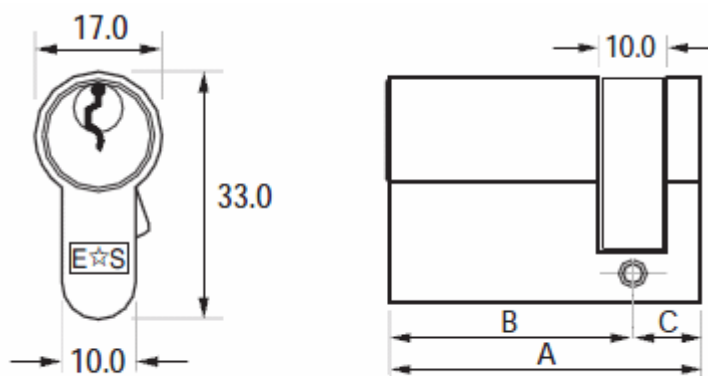
Finish

- Satin brass

Alternative Finishes Available

- Polished Brass
- Polished Chrome

Dimensions



All measurements in mm

Item Code

44101.1

Overall Length (A)

45mm

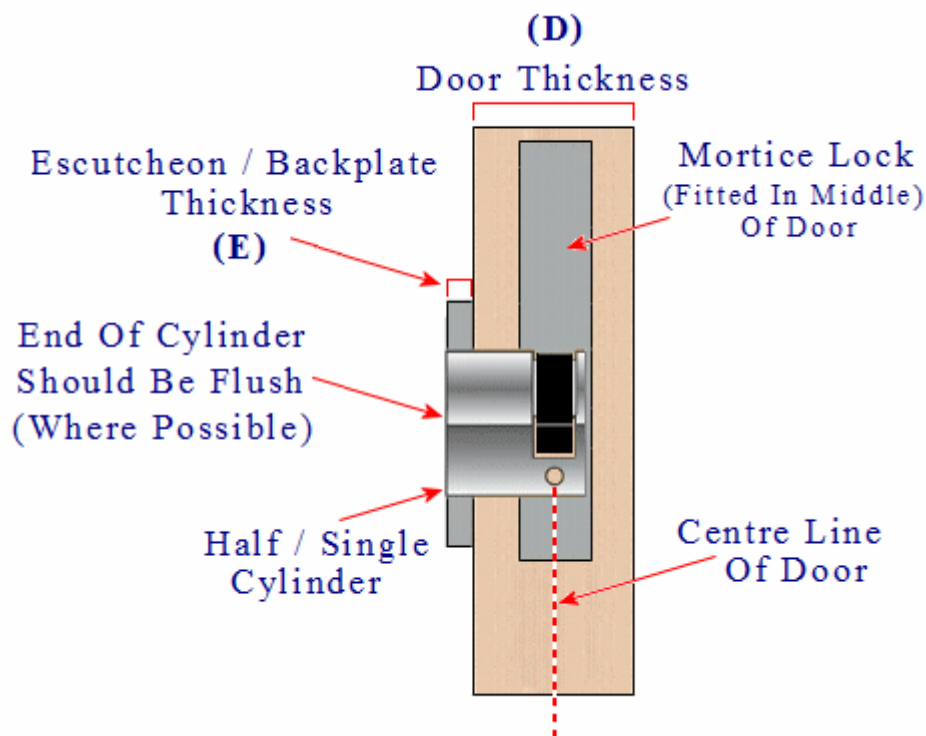
External Side (B)

35mm

Internal Side (C)

10mm

Fitting Information



Standards This Product Conforms To

- The thumb turn Euro profile cylinders have been included on a successful fire test to BS EN1634: Part 1 2000 - Assessed for use on 30 minute and 1 hour fire doors FD30 / FD60.

Unit Of Sale

- Each - (1x cylinder and 1x fixing screw).

Products in this set



44101.1 - Thumb Turn - Euro Profile Single Cylinder - 45mm - Polished Brass (Lacquered) - Each