

---

## Circular Design Bathroom Hook Lock For Sliding Pocket Doors - With Turn And Release - Satin Brass (Lacquered)

### Product Images

---



## Description

---

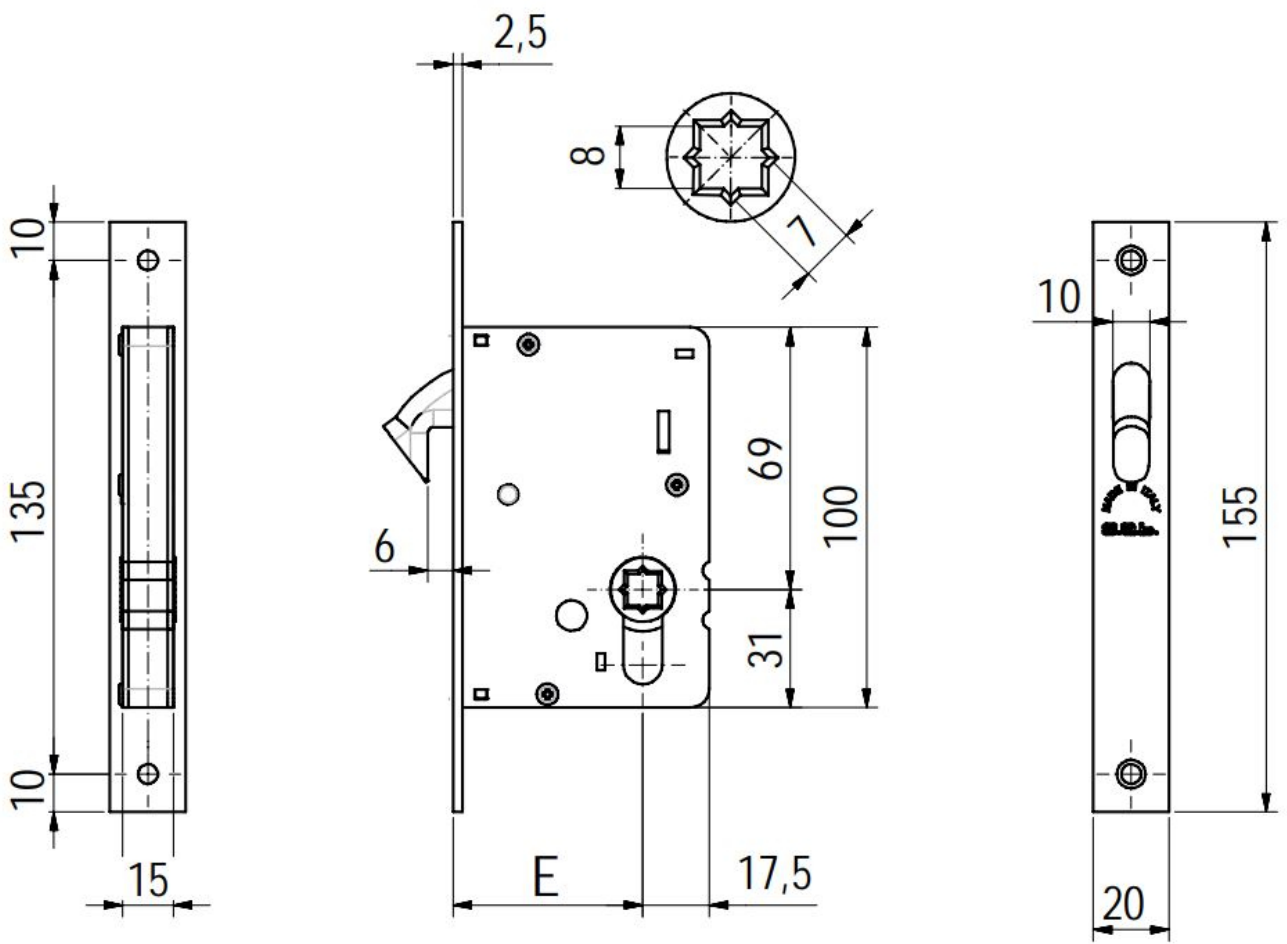
- Satin brass finish flush fitting bathroom hook lock set for sliding pocket doors.
- Round design flush pulls.
- Ideal for use on sliding bathroom and toilet doors.
- Complete kit includes.
  - 1x 57.5mm Deep sliding door bathroom hook lock
  - 1x Flush fitting snib turn and emergency release
  - 1x Edge pull handle to help pull the sliding door out of the wall cavity (pocket).
- The thumb-turn is fitted to the inside of the sliding door which allows the door to be locked and unlocked.
- The release part of the lock is fitted on the outside of the sliding door and allows the door to be unlocked in an emergency by using a coin of screw driver.
- Suitable for use on doors between 35mm to 52mm thick.

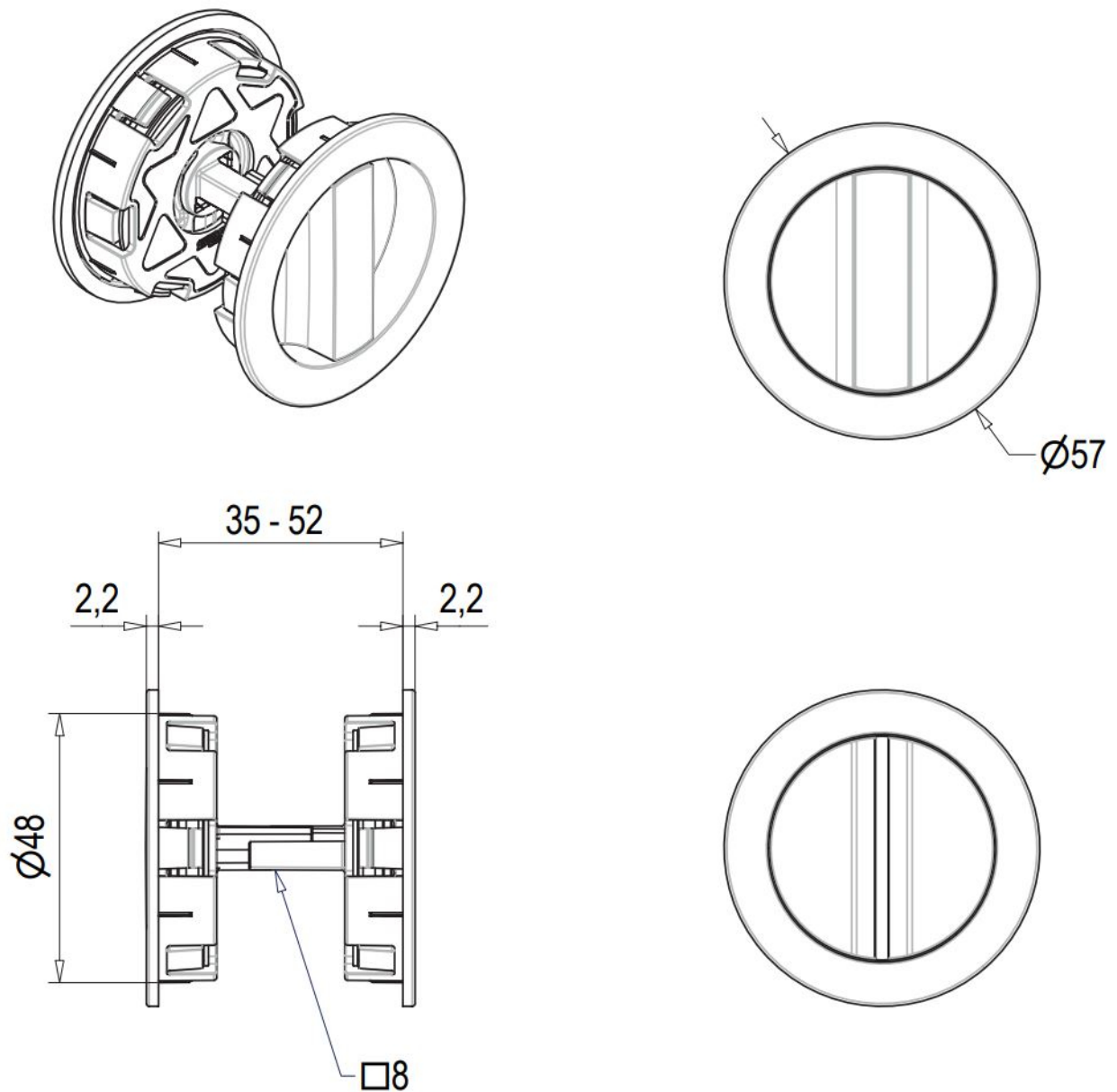
## Finish

- Satin brass

## Dimensions

- Lock Case - 57.7mm deep (40mm backset) mortice hook lock.
- Turn & Release - 57mm Diameter x 10.5mm depth.
- Edge Pull - 30mm diameter x 24mm depth.
- To Suit Door Thickness - 35mm to 52mm thick.





#### Products in this set



44236.1 - Bathroom Hook Lock With Round Turn And Release For Sliding Pocket Doors - Satin Brass (Lacquered) - Set