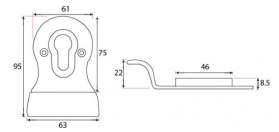


Euro Profile Cylinder Pull - Pewter

Product Images



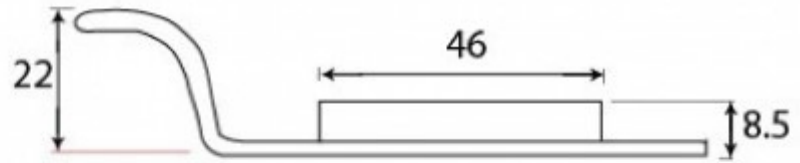
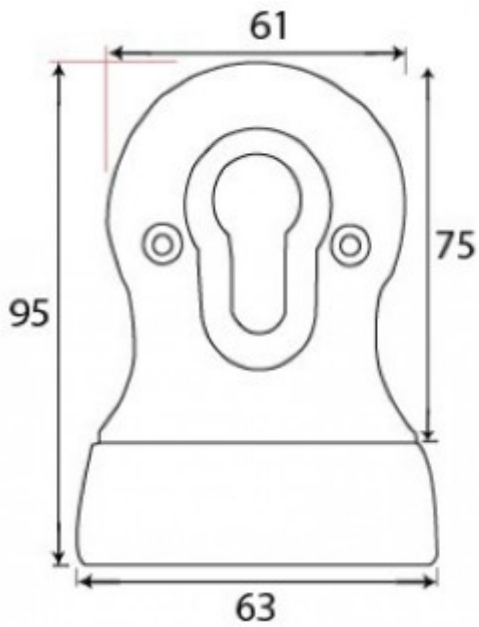
Description

- Used on front doors to match any black iron door fittings.
- This cylinder pull should be fitted in front the Euro cylinder to assist in pulling the door closed.

Finish

- Pewter

Dimensions



- Overall size: 95mm x 63mm
- Backplate Size: 75mm x 61mm
- Projection: 22mm
- Plate thickness: 8.5mm

Important Info Before You Buy

- Designed for use with a euro profile cylinder
- Face fixed - supplied with fixings

Products in this set



44287.1 - Euro Profile Cylinder Pull - Pewter - Each