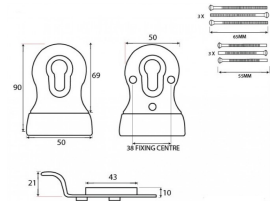


Dual Sided Euro Profile Cylinder Pull - Aged Solid Bronze

Product Images



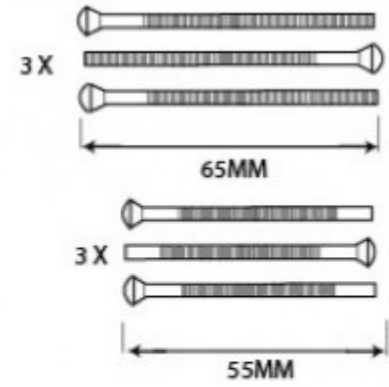
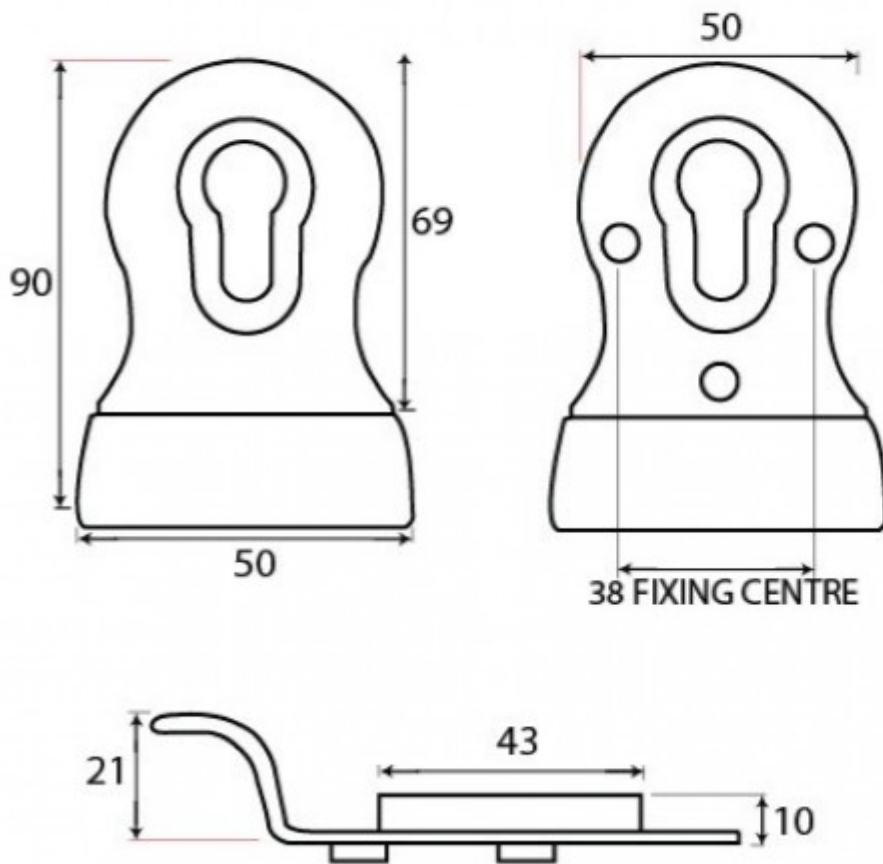
Description

- Dual Sided Euro Profile Cylinder Pull
- For use on front doors to match other door fittings from the Aged Bronze range
- This back-to-back fixing door pull fits to either side of your door and pulls tight towards each other for a secure fit.
- Bolt heads are visible from one side only to also give extra security and this product comes supplied with both 50mm and 60mm bolts to allow for various door thickness.
- Suitable for internal or external use but maintenance instructions must be followed to preserve the finish of your product.

Finish

- Aged Bronze

Dimensions



- Overall size: 90mm x 50mm
- Backplate Size: 69mm x 50mm
- Projection: 21mm
- Plate thickness: 10mm
- Fixing Centres: 38mm

Important Info Before You Buy

- Designed for use with a euro profile cylinder
- Must be bolted through the door

Products in this set



44295.1 - Dual Sided Euro Profile Cylinder Pull - Aged Solid Bronze - Pair