

Mortice Plate Pear Drop Fastener Casement Fastener - Reversible - Black

Product Images



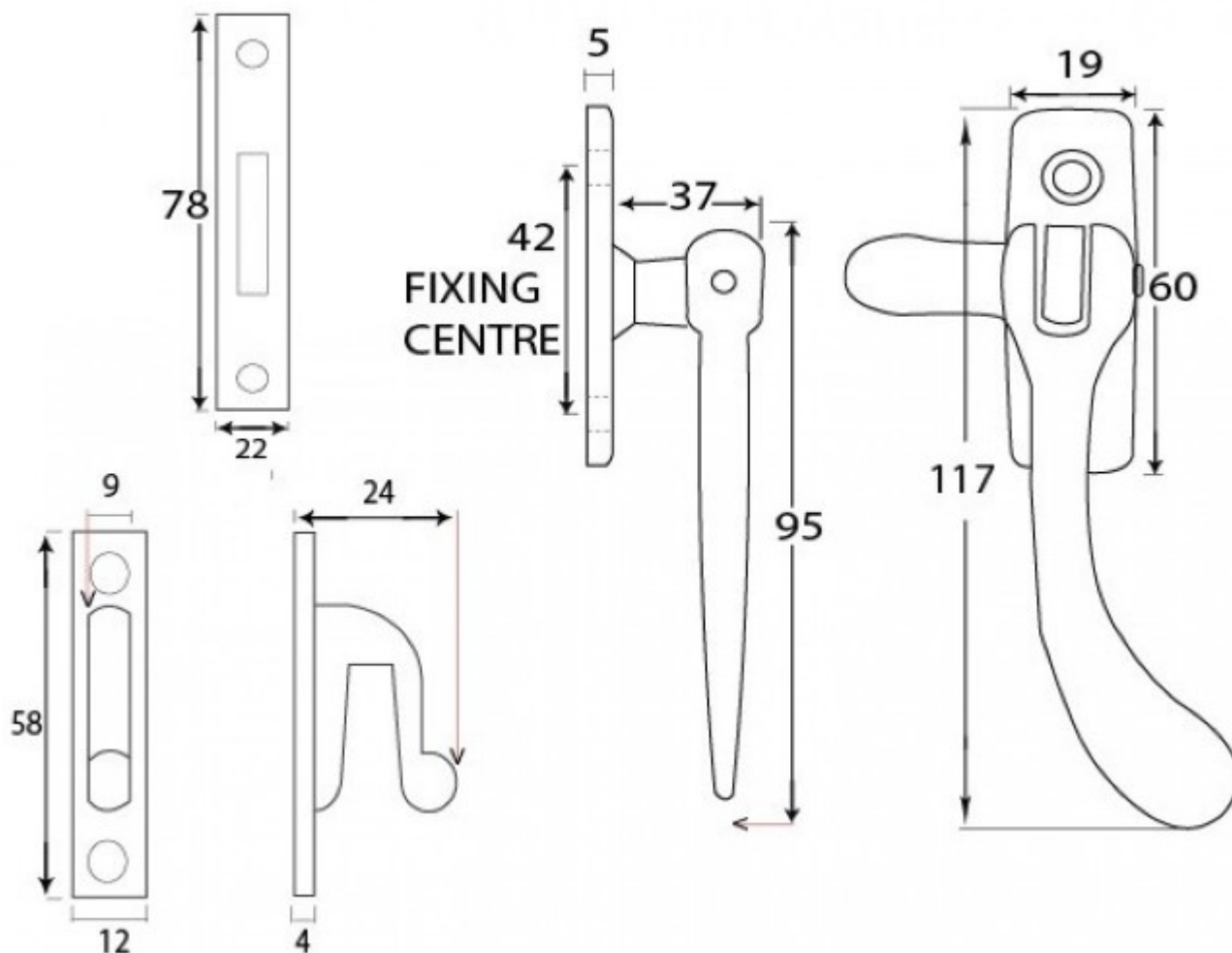
Description

- Mortice Plate Pear Drop Fastener Casement Fastener - Black Finish
- Traditional heavy quality design.
- Suitable for use on weather stripped (draught proofed) timber windows.
- This casement fastener is designed to be fixed on the side of the window and is the handle used to keep the window closed.
- This fastener is reversible so can be used on windows hung on the left or right.

Finish

- Black

Dimensions



- Handle length: 117mm
- Handle Length:95mm
- Fixing Plate Size: 60mm x 19mm x 5mm
- Mortice Plate Size: 78mm x 22mm x 4mm

Important Info Before You Buy

- Suitable for wooden windows.
- Comes supplied with mortice plate and hook plate.
- For standard outward opening windows the mortice plate is used.
- Suitable for use on weather stripped windows.
- Matching window stay to open and close the window also available.

Products in this set



44302.1 - Mortice Plate Pear Drop Fastener Casement Fastener - Reversible - Black - Each