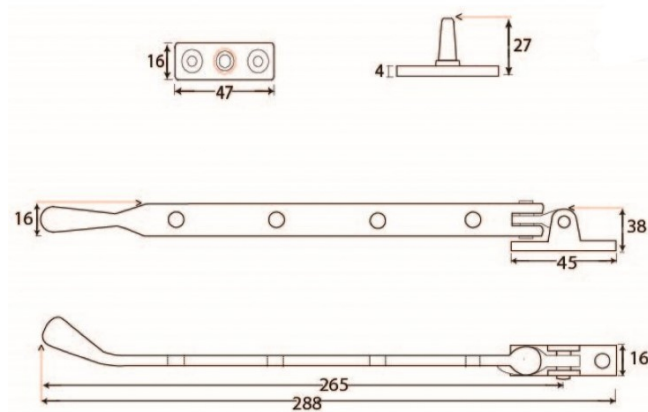
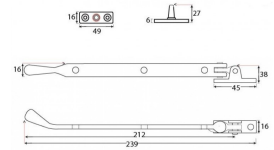


Cast Pear Drop Casement Stay - Black

Product Images



Description

- Cast Pear Drop traditional style casement window stay.
- A casement stay is the handle or arm that fixes to the bottom of the window to help push the window open and pull the window closed.
- The casement arm sits on pins which makes the window "stay" in position when in the open or closed position.

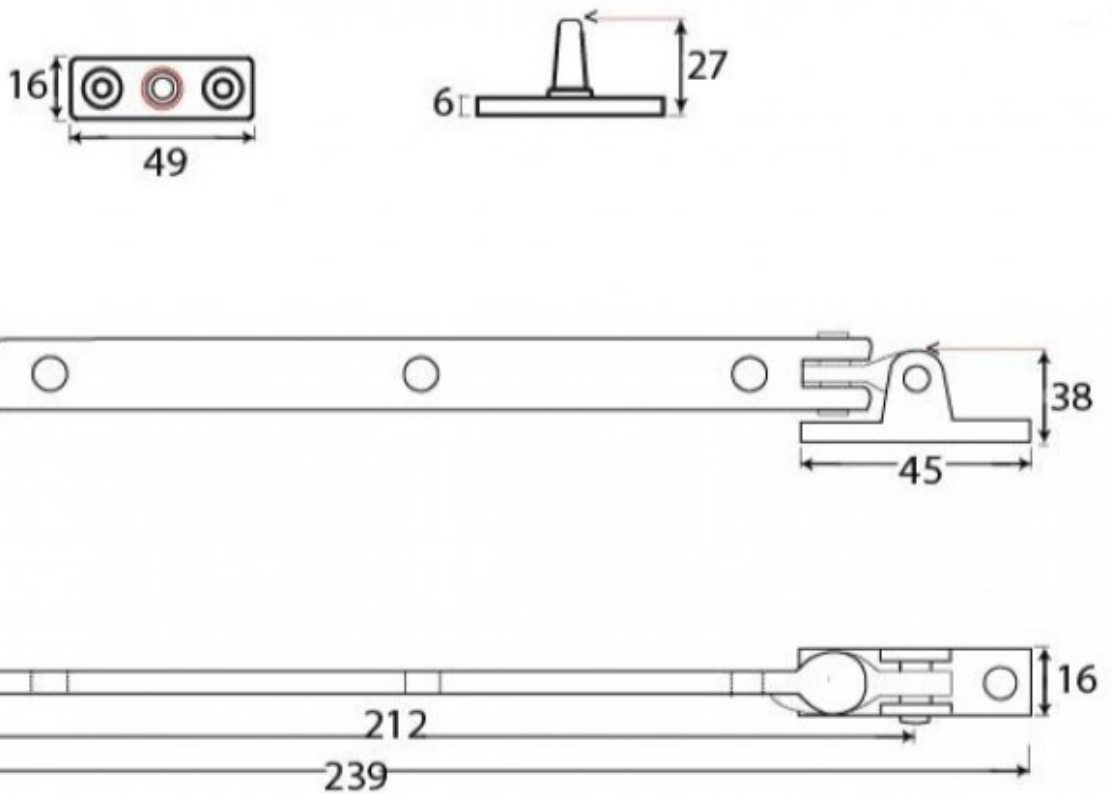
Finish

- Black

Dimensions

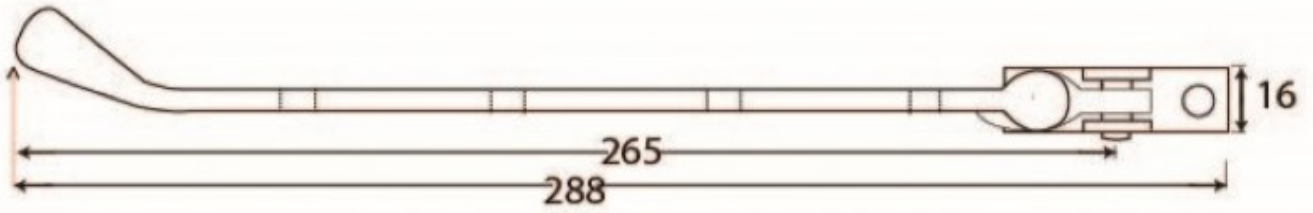
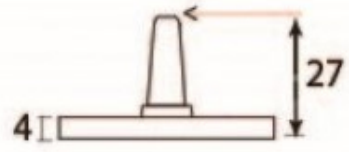
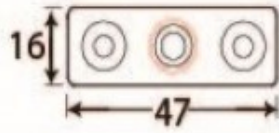
- 8 Inch (203mm)

- Overall Length: 239mm
- Stay Arm: 212mm
- Fixing Plate: 45mm x 16mm



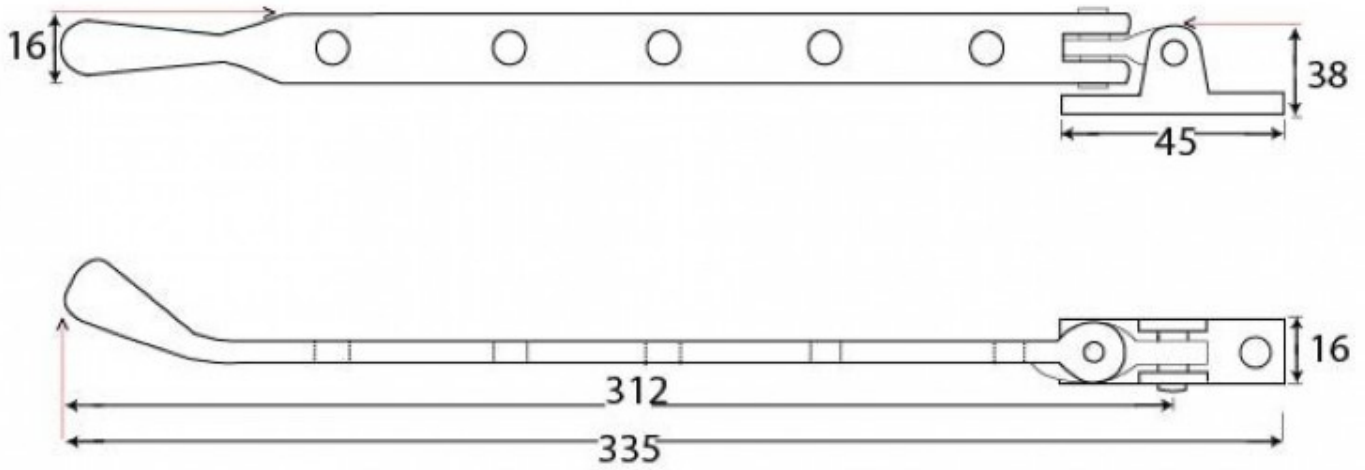
- 10 Inch (254mm)

- Overall Length: 288mm
- Stay Arm: 265mm
- Fixing Plate: 45mm x 16mm



- 12 Inch (305mm)

- Overall Length: 335mm
- Stay Arm: 312mm
- Fixing Plate: 45mm x 16mm



Important Info Before You Buy

- Suitable for use on timber windows.
- Suits standard outward opening casement windows.
- Comes supplied with fixing screws and pins.
- Matching window fastener also available
- Matching window stay pin also available

Products in this set

✘	44303.1 - Cast Pear Drop Casement Stay - 203mm - Black - Each
✘	44303.2 - Cast Pear Drop Casement Stay - 254mm - Black - Each
✘	44303.3 - Cast Pear Drop Casement Stay - 305mm - Black - Each