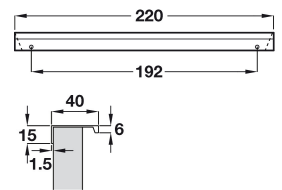


Trim Handle Edge Pull - 220mm Length - Stainless steel effect

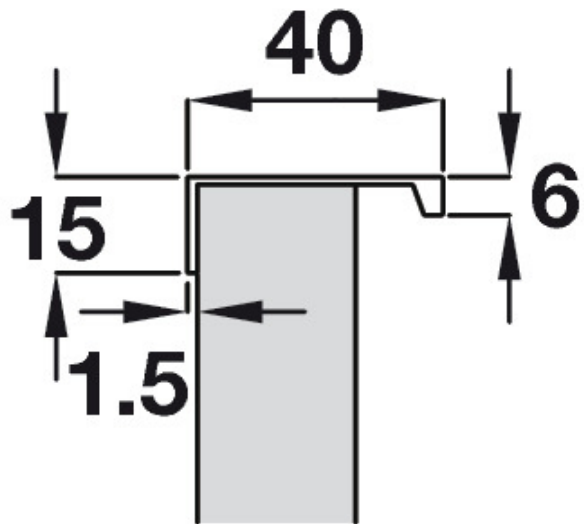
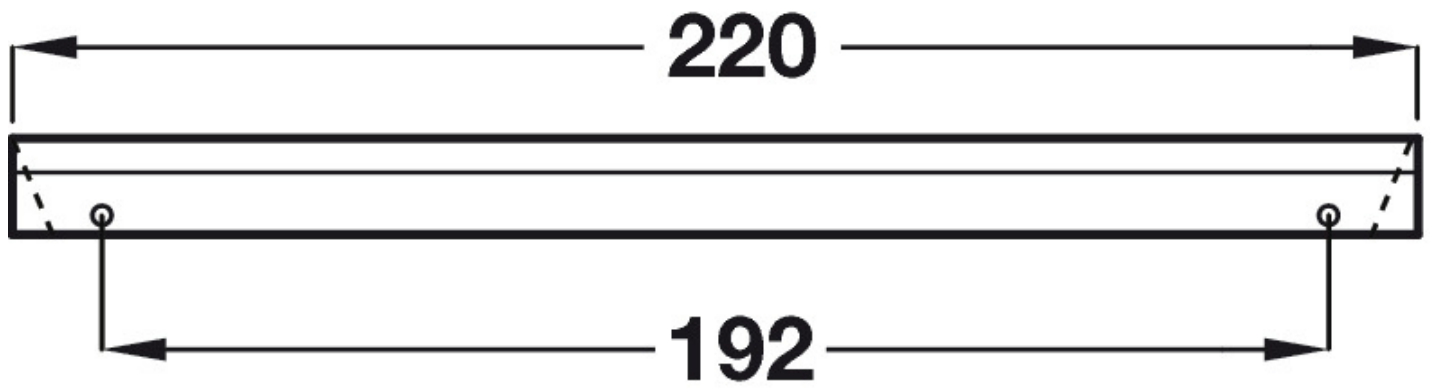
Product Images



Description

- Rear fix finger edge pulls are designed to look stylish and discrete

Size Details



- Length - 220mm
- Hole spacing - 192mm
- Height - 15mm
- Depth - 40mm

Base Material

- Aluminium

Finish Details

- Satinless Steel Effect

Usage

- Suitable for internal use.

Unit Of Sale

- This cabinet handle is sold individually - (Each)

Products in this set



44306.1 - Trim Handle Edge Pull - 220mm Length - Stainless steel effect - Each