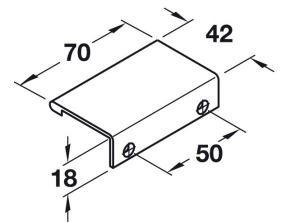


## Quinn Profile Handle Edge Pull - 70mm Width - Polished Aluminium

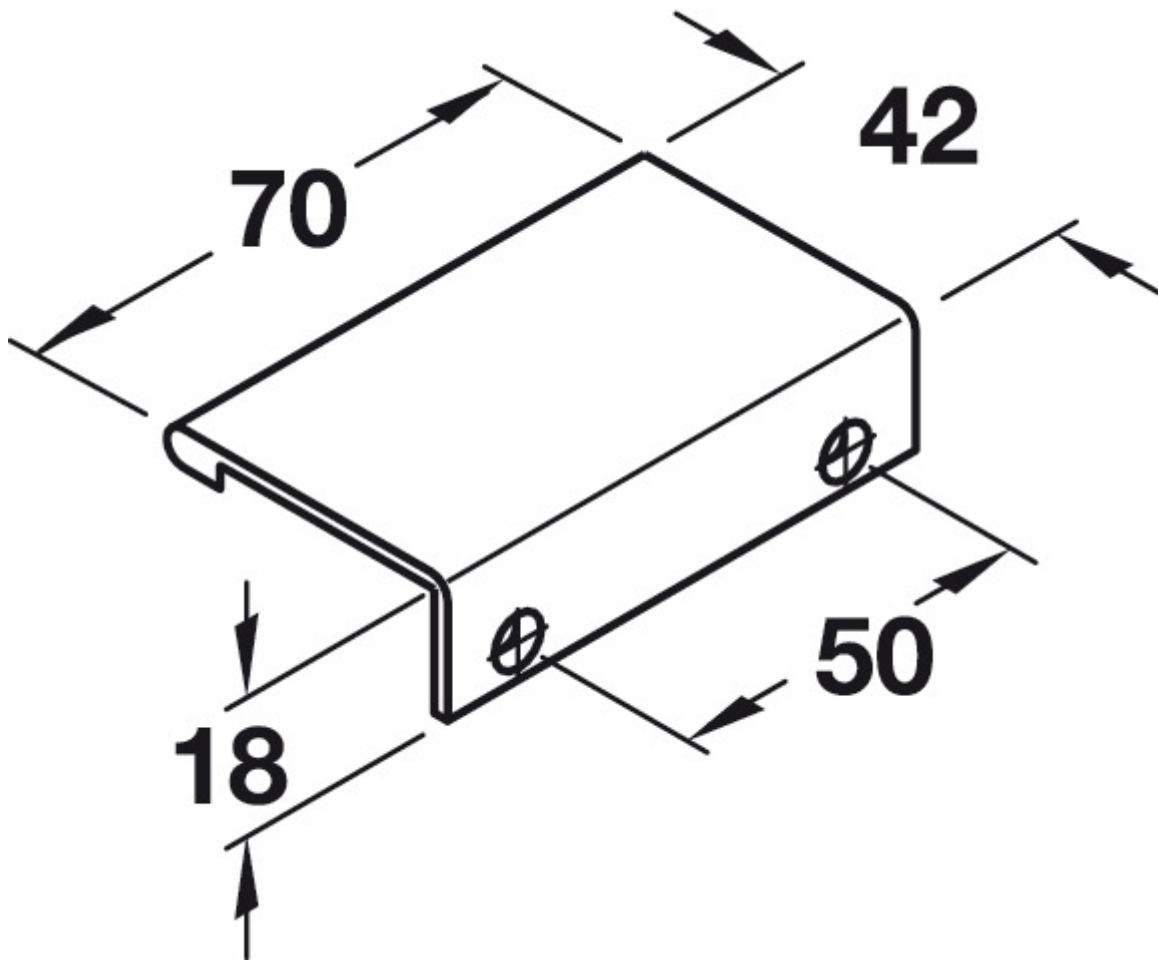
### Product Images



### Description

- Rear fix finger edge pulls are designed to look stylish and discrete

### Size Details



- Length - 70mm
- Hole spacing - 50mm
- Height - 18mm
- Depth - 42mm

## Base Material

- Aluminum

## Finish Details

- Polished aluminium

## Usage

- Suitable for internal use.

## Unit Of Sale

- This cabinet handle is sold individually - (Each)

## Products in this set

---



44313.1 - Quinn Profile Handle Edge Pull - 70mm Width - Polished Aluminium - Each