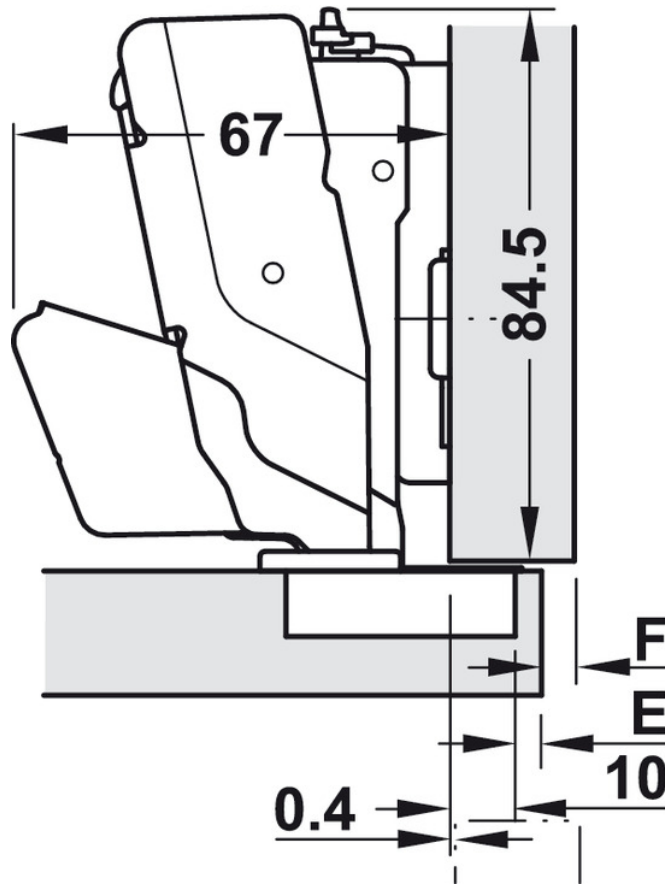

155 Degree Overlay Hinge With Soft Close For Up To 32mm Thick Doors + 0mm Mounting Plate

Product Images



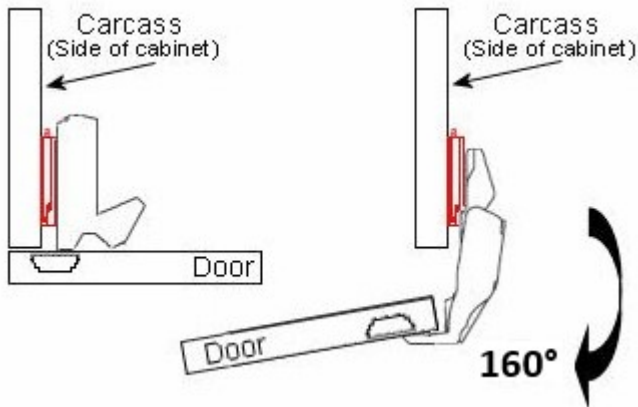


Description

- High quality concealed blum style full overlay kitchen cabinet hinge, with 160 degree opening angle.
- Built in soft close mechanism and 3 way adjustable clip on mounting plate.
- For use with doors that overlay the carcass only. (Overlay doors sit on top of cupboard door frame.)
- High architectural quality "clip on" design with built in soft closing device. No more slamming cupboard doors, just a gentle push and the cabinet door will self close coming to a controlled soft stop.
- 3 way adjust-ability the door can be adjusted vertically (moving the door up and down) - horizontally (moving the door side to side) - in and out (moving the door from or towards the carcass)
- Sprung hinge - keeps door held closed no need for any kind of cupboard catch.
- Standard 35mm diameter cup with a 155 degree opening angle
- Comes supplied adjustable clip on mounting plate.

Suitable For Use On Overlay Style Doors Only

- Overlay hinge suitable for doors that sit on top of the cabinet carcass.
- Below diagram shows how an overlay hinge is fitted. - (Notice how the door sits in front of the cupboard frame.)



- Suitable only for doors that overlay the cabinet carcass - (see below diagram)



Clip On Design

- This hinge comes supplied with an adjustable clip on mounting plate, which allows the door to be fully adjusted and then quickly removed by simply pushing a small button at the very tip of the hinge.
- Below diagram shows how the concealed blum style hinge clips on and off from the mounting plate.



Base Material

- Made from steel.

Finish Details

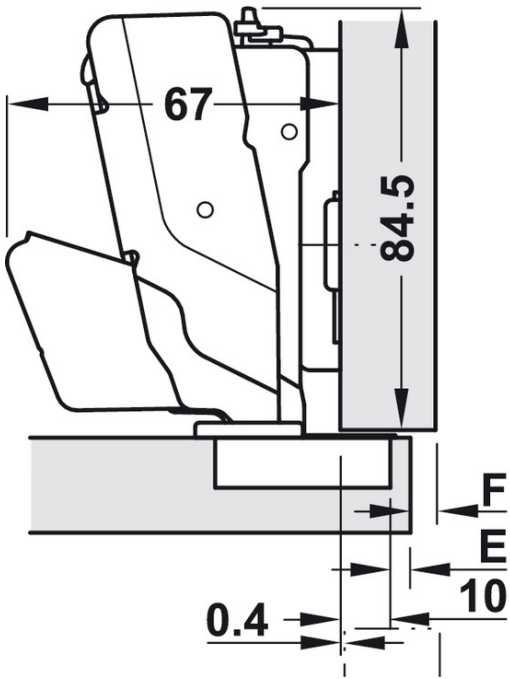
- Bright zinc plated.

3 Way Adjustable Hinge

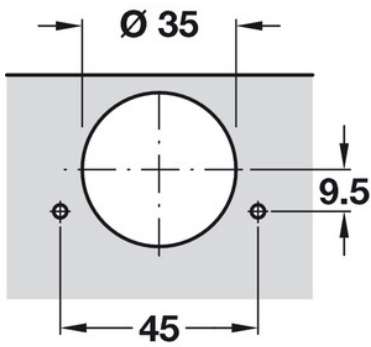
- This overlay hinge can be adjusted in 3 directions. - (see below diagram.)
- Lateral adjustment - turning the screw nearest to cup allows the door to move side to side with a total movement of 5mm possible.
- Front to back adjustment - turning the screw at the tip of the hinge adjusts the door away from or toward the carcass with a total movement of 3.5mm possible.
- Vertical adjustment - turning the cam operated screw on the mounting plate adjusts the height the of the door up and down with a total movement of 4mm possible.



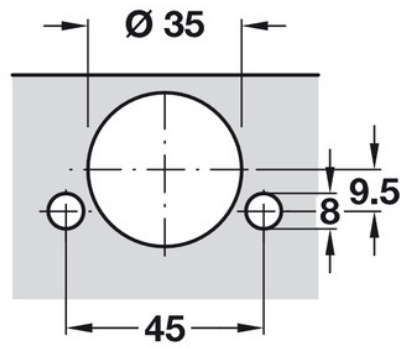
Size Details



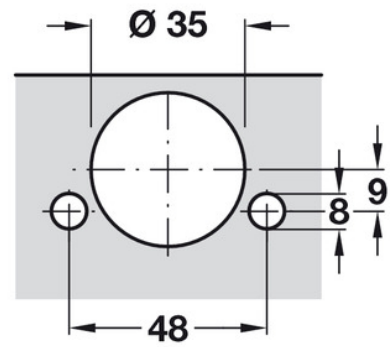
Drilling pattern for cup fixing



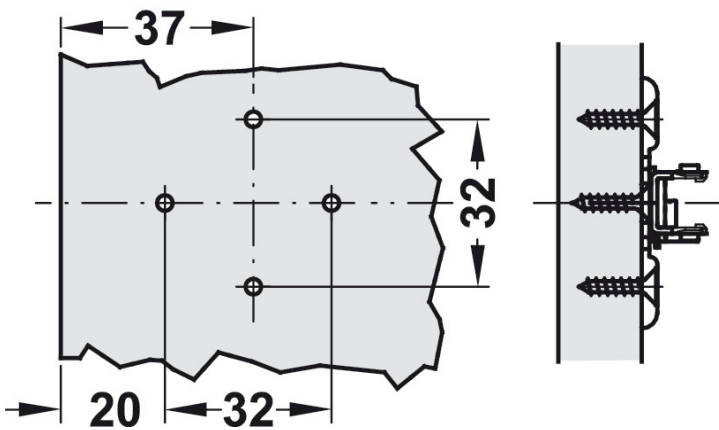
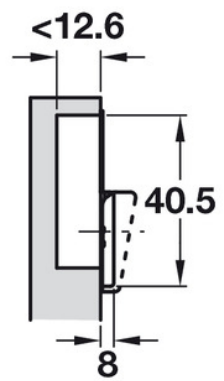
Drilling pattern for screw fixing

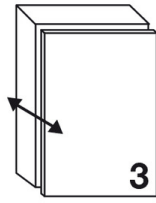
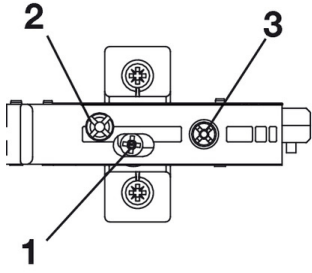


Dowel fixing



Impresso tool free fixing also suits above





**Depth adjustment
+3/-2 mm**

**All adjustment
options can be
made independently
of one another**

- Standard 35mm diameter cup. (Hole diameter required to be drilled into the door.)
- 155 Degree opening angle.

Unit Of Sale

- The 155° overlay concealed blum style cabinet hinge is sold individually. - (Each)
- Supplied with adjustable clip on mounting plate and screws to suit 18mm thick door and carcass.

Products in this set



44327.1 - 155 Degree Overlay Hinge With Soft Close For Up To 32mm Thick Doors + 0mm Mounting Plate - (1 Hinge)