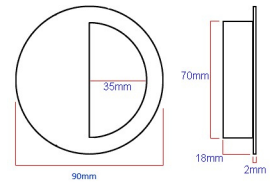


Circular Shape Half Moon Grip Flush Pull Handle - 90mm Diameter - Matt Black

Product Images

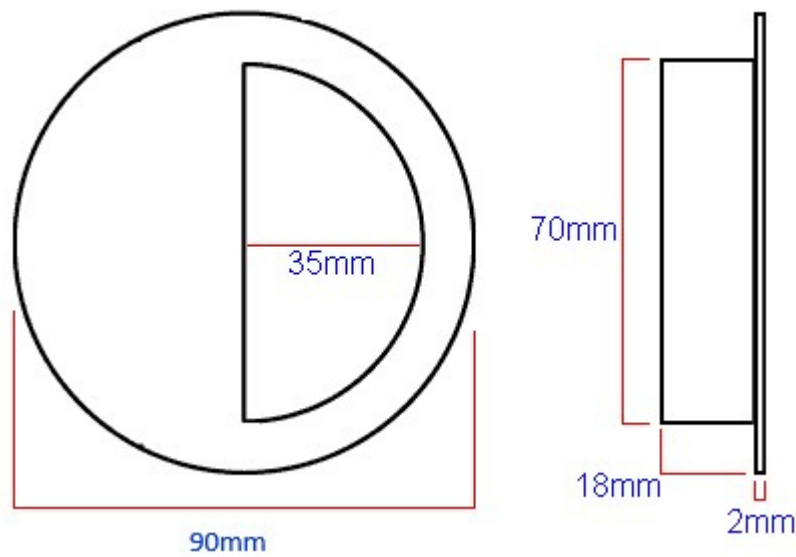


Description

Contemporary design circular shape flush fitting, inset pull handle with half moon grip, ideal for use with sliding doors.

- This item has to be morticed (cut) into the door to allow it to sit fit flush.
- Suitable for use on full height sliding doors, wardrobe doors and cupboard doors.
- Sleek minimal look thanks to discreet fixings. - (This item is fixed via wood screws from inside the recess.)

Size Details



Item Code **Diameter** **Opening Size** **Recess Depth** **Recess Diameter** **Backplate Thickness**

44465.1 90mm 35mm 18mm 70mm 2mm

Base Material

- Made from stainless steel.

Finish Details

- Matt Black

Fixings

- This handle is fitted via 2 x wood screws inside the recess of the handle.
- Screws are supplied with this item.

Usage

- Suitable for internal or external use.
- To fit this handle completely flush a minimum door thickness of 18mm is required.

Unit Of Sale

- This item is sold individually - (Each)

Products in this set



44465.1 - Circular Shape Half Moon Grip Flush Pull Handle - 90mm Diameter - Matt Black - Each