
29mm Sash Stops - Sliding Sash Windows Locks - Satin Nickel - Pack Of 2 With Key

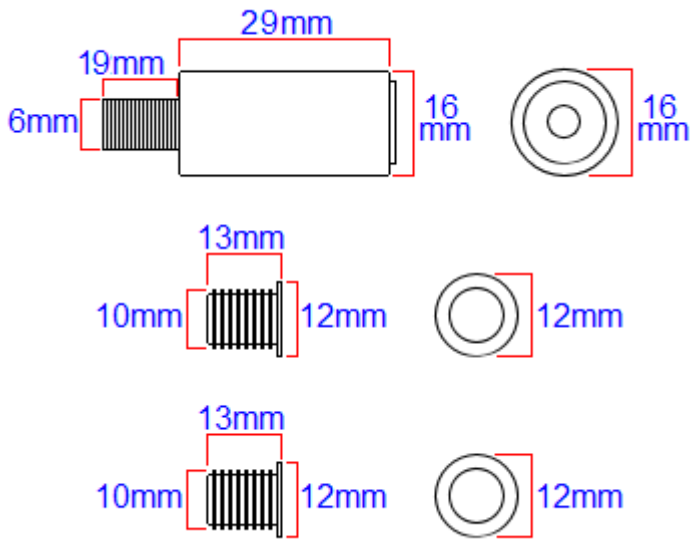
Product Images



Description

- Sliding sash window stop locks with a brushed satin nickel finish.
- Pack of two stops supplied with four inserts & key.
- Ideal for meeting insurance requirements for locking sliding sash windows.
- Two inserts provided per stop allows the sash window to be locked in the closed or in the open position.
- The threaded stops are screwed into inserts located in the top sash by use of key, this prevents ("stops") the sashes passing each other, hence the window is locked and can not be opened.
- The sash stops can only be locked and unlocked via the use of supplied key.

Size Details



Item Code	Stop Length	Stop Diameter	Insert Diameter	Insert Length
44489	29mm	16mm	10mm	13mm

Base Material

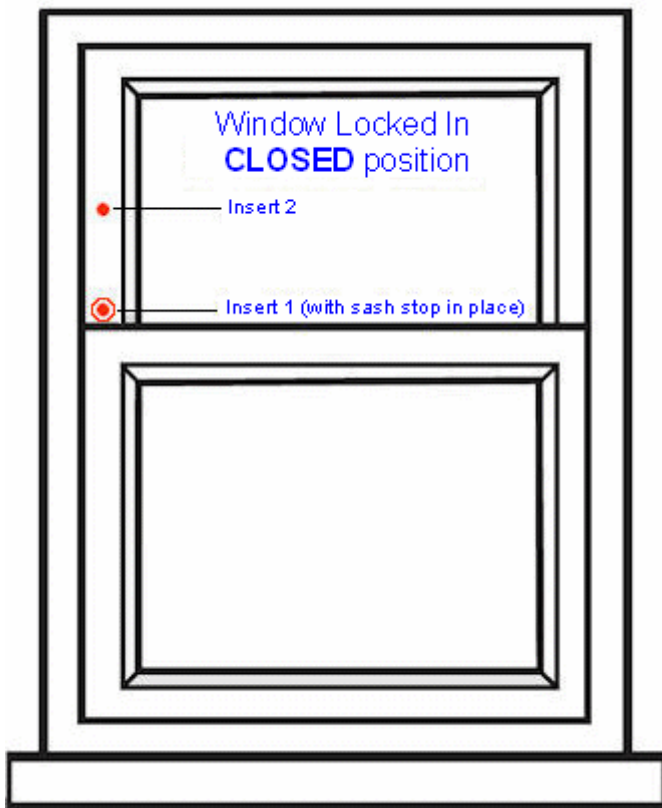
- Made from solid brass.

Finish Details

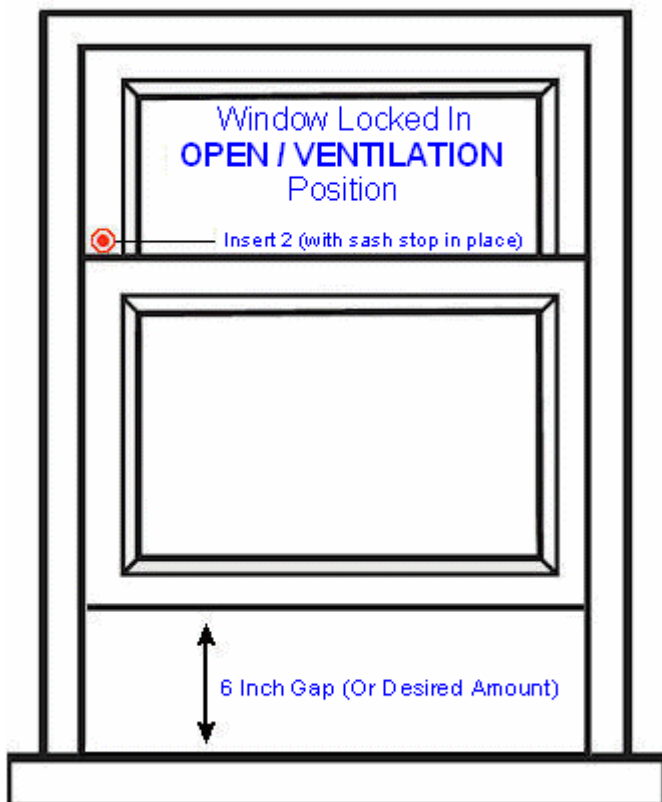
- Satin nickel - (brushed finish).

Fixings

- Each stop comes supplied with two inserts to screw into.
- Sash window can be locked in the closed position by screwing the sash stop into insert 1 (see below diagram)



- The sliding sash window can be locked in the open position for ventilation, by screwing the sash stop into insert 2 (see below diagram)



Usage

- Suitable for use with wooden sliding sash windows.
- The inserts are fitted into the side rail of the top sash.

Unit Of Sale

- Sold per pair - (A pair includes 2 x sash stops 4 x inserts & key).

Products in this set



44489.1 - Sash Window Stops - Restrictor Locks - Pack Of 2 - 29mm - Supplied With 1 x Key - Satin Nickel