

---

## Half Moon Shaped Cup Handle - Polished Brass (Lacquered)

### Product Images

---



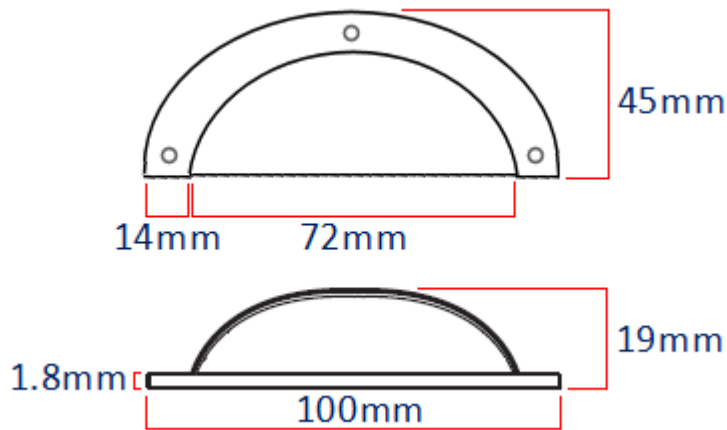
### Description

---

- Traditional half moon shape cup handle.
- Traditional face fix design via supplied wood screws.
- Made from solid brass, this item has been highly polished to produce a shiny finish.
- This popular, classic design handle is suitable for use in traditional areas including, kitchen cabinet doors, wardrobes, cupboard doors and drawers.

- Also suitable for use as a sash handle to lift up a sliding sash window.

## Size Details



## Base Material

- Made from solid brass.

## Finish Details

- Polished brass

## Fixings

- This handle is face fixed to the door, drawer or window via traditional slotted wood screws.
- Come supplied with matching raised head slotted screws.

## Usage

- Suitable for internal or external use.

## Unit Of Sale

- This cabinet handle is sold individually - (Each)

## Products in this set



43580.1 - Half Moon Shape - Face Fix Cup Handle - 100mm Width - Polished Brass (Lacquered) - (Each)