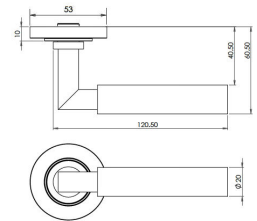


## Tubular Pattern Lever Handles With Stepped Round Rose - Suitable For Use With FD30 / FD60 Fire Doors - Antique Brass (Lacquered)

### Product Images



### Description

- Antique brass tubular pattern lever handles with stepped pattern concealed fix rose.
- Architectural quality.
- Matching antique brass accessories available including standard escutcheons (keyhole covers), euro profile escutcheons, bathroom turn & release set and locks latches and hinges.

## How To Order Lever Handles With A Rose

- **For Non-Locking Doors** - 1 x (Pair) Lever Handles Only



- **For Locking Doors** - 1 x (Pair) Lever Handles Only + 2 x (Each) Standard Escutcheons



- **For Euro Cylinder Locking Doors** - 1 x (Pair) Lever Handles Only + 2 x (Each) Euro Escutcheons



- **For Locking Bathroom Doors** - 1 x Pair Lever Handles Only + 1 x (Set) Turn & Emergency Release



## Matching Accessories

- **Standard escutcheon** - (key hole cover to suit regular "chubb style locks")
- **Euro profile escutcheon** - (key hole cover to suit euro profile cylinders)
- **Turn & emergency release** - (a thumbturn used to lock bathroom doors, WC's and toilet doors)

## Base Material

- Made from solid brass

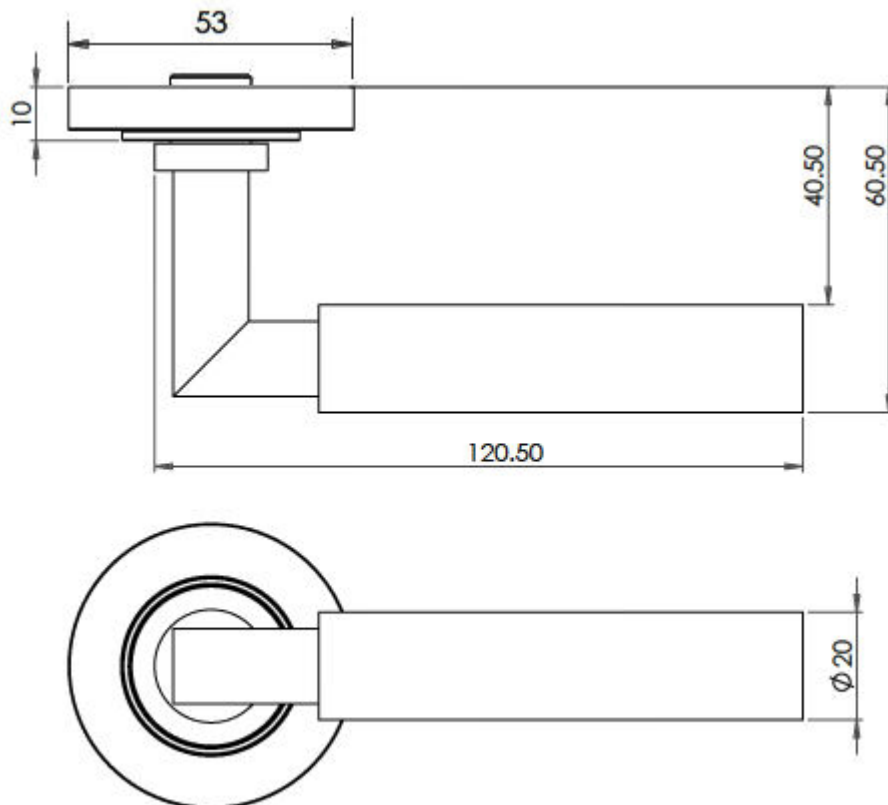
## Finish Details

- Antique brass finish.

## Operation

- Both levers are sprung to ensure the lever always returns to its starting position.

## Size Information



- Rose Diameter - 53mm
- Rose Thickness - 10mm

## Spindle Size

- 8mm x 8mm square - UK Standard.

## Fixings

- Concealed bolt together fixings via male and female bolts.
- Grub screw fixing to spindle for extra strength once fitted to the door.

## Usage

- Suitable for residential use.
- Suitable for internal use.

## Unit Of Sale

- Lever handles are sold in pairs. (One pair consists of 1x left hand and 1x right hand).

### Products in this set

---



**44506.1 - Tubular Pattern Lever Handles With Stepped Round Rose - Tested For Use With FD30 / FD60 Fire Doors - Antique Brass (Lacquered) - Pair**