

Cylinder Shape Stepped Pattern Cupboard Knob With Round Base - Antique Brass (Lacquered)

Product Images



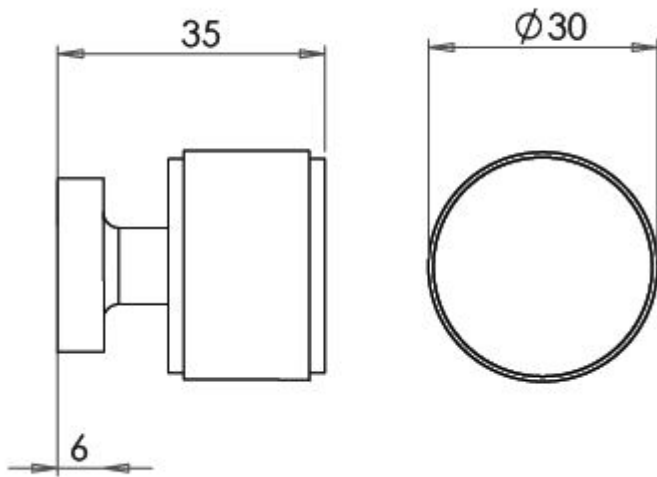
Description

- Heavy quality, stepped cylinder design cupboard door knobs with an antique brass finish
- High architectural quality range, each knob is made from solid brass giving the item a heavy luxurious feel
- This popular design is ideal for use on modern or contemporary units including, kitchen cabinet doors, wardrobes, cupboard doors and drawers

Size Details

Item Code	Knob Diameter	Backplate (Rose) Diameter	Projection From Door
-----------	---------------	---------------------------	----------------------

44644.1	30mm	25mm	35mm
---------	------	------	------



Base Material

- Made from solid brass.

Finish

- Antique brass

Fixings

- This handle is fitted via a M4 bolt from the rear of the door / drawer - see below diagram.



- Bolt through fixings provide a superior strong fixing allowing this knob to be fitted to tall or heavy doors
- Comes supplied with M4 (diameter) x 25mm & 45mm (long) bolts, the 25mm long bolts are to suit 18mm cupboards and the 45mm designed to be cut down to length on site for thicker doors
- To save having to cut down the bolts provided we sell a range of M4 fixing bolts in various lengths

Usage

- Suitable for internal use

Unit Of Sale

- These cupboard knobs are sold individually - (Each)

Products in this set



44644.1 - Cylinder Shape Stepped Pattern Cupboard Knob With Round Base - Antique Brass (Lacquered) - Each