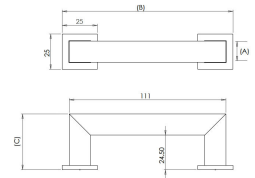


Rectangular Cube Shape Cabinet Pull Handle With Optional Base Rose - Antique Brass (Lacquered)

Product Images



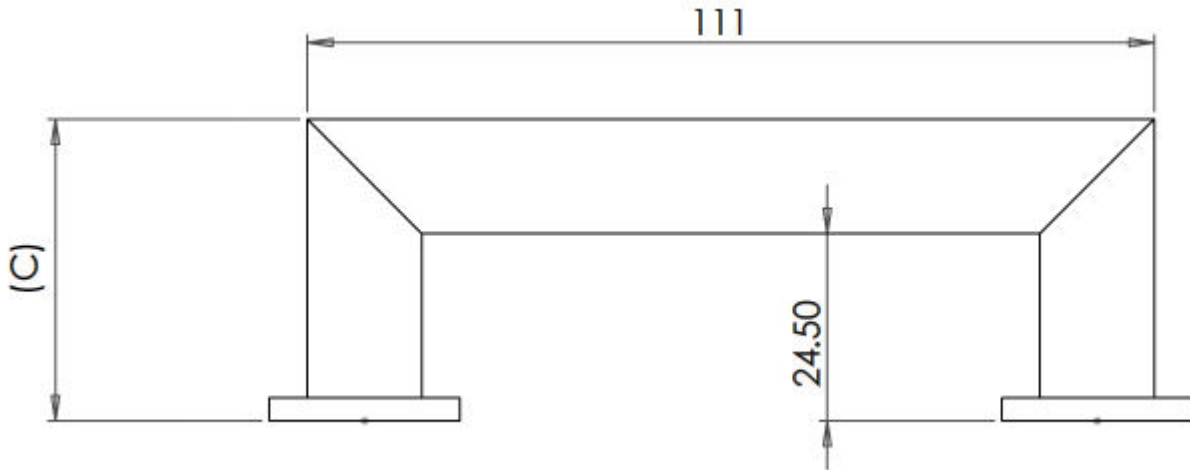
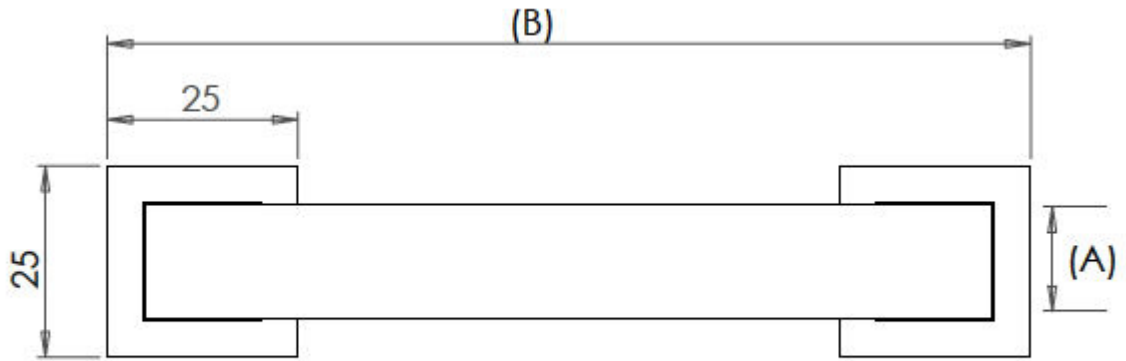
Description

- Rectangular cube shape cupboard door pull handle with optional square base roses
- Available in three lengths, 121mm, 143mm, 249mm
- Supplied with M4 fixing bolts
- Contemporary design ideal for use on modern units including, kitchen cabinet doors, wardrobes, cupboard doors and drawers

Size Details

Item code	Overall Length(B)	Fixing Centres	Width(A)	Projection(C) Wth Base Plate	Projection Without Base Plate
-----------	-------------------	----------------	----------	------------------------------	-------------------------------

44674.1	121mm	96mm	15mm	40mm	37mm
44674.2	143mm	128mm	15mm	40mm	37mm
44674.3	249mm	224mm	15mm	40mm	37mm



Base Material

- Made from solid brass

Finish Details

- Antique brass

Fixings

- This handle is fitted via M4 bolts from the rear of the door / drawer - see below diagram.



- Bolt through fixings provide a superior strong fixing allowing this handle to be fitted to tall or heavy doors
- Comes supplied with M4 (diameter) x 25mm & 45mm (long) bolts, the 25mm long bolts are to suit 18mm cupboards and the 45mm designed to be cut down to length on site for thicker doors
- For doors thicker than 18mm, longer M4 fixing bolts are available to buy separately

Usage

- Suitable for internal use

Unit Of Sale

- This cabinet handle is sold individually - (Each)

Products in this set



44674.1 - Rectangular Cube Shape Cabinet Pull Handle - 121mm Length (96mm Centres) - With Optional Base Rose - Antique Brass (Lacquered) - Each



44674.2 - Rectangular Cube Shape Cabinet Pull Handle - 143mm Length (128mm Centres) - With Optional Base Rose - Antique Brass (Lacquered) - Each



44674.3 - Rectangular Cube Shape Cabinet Pull Handle - 249mm Length (224mm Centres) - With Optional Base Rose - Antique Brass (Lacquered) - Each