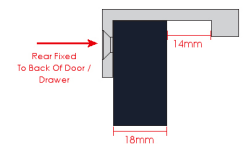
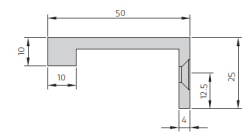


Rear Fixing Finger Edge Pull - With Cube Edge Design - Available In 4 Sizes - Dark Midnight Bronze (Lacquered)

Product Images

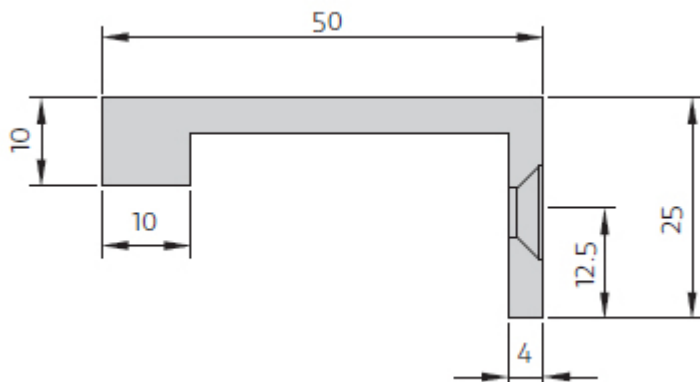


Description

- Rear fixing edge pull handle.
- Cube edge design.
- Dark (midnight) bronze finish.
- Sleek, minimal design ideal for those looking for a small discreet handle to open a drawer or door with.
- Available in 4 sizes up to 200mm wide. **Bespoke sizes available upon request - up to 650mm.**
- Face fix design via matching wood screws.

- Suitable for use on kitchen cabinet doors, wardrobes, cupboard doors and drawers.
- **Special order, please allow 3-4 week lead time.**

Size Details



Item Code	Overall Width	Projection	Thickness (D)
44876.1	50mm	50mm	4mm
44876.2	75mm	50mm	4mm
44876.3	100mm	50mm	4mm
44876.4	200mm	50mm	4mm

Bespoke widths available upon request - up to 650mm

Base Material

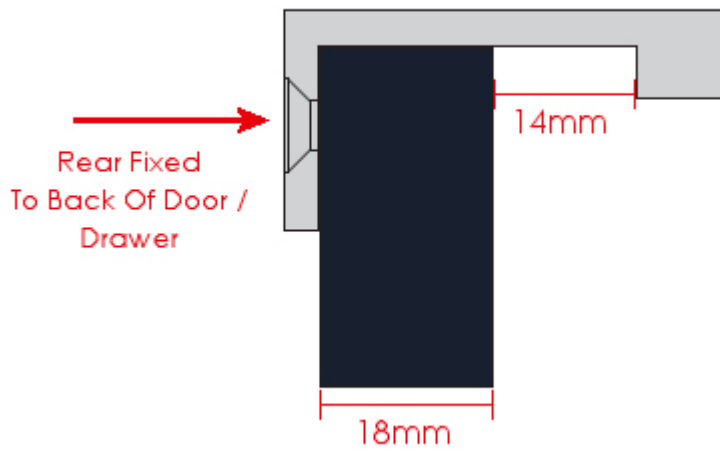
- Made from solid brass,

Finish Details

- Dark (midnight) bronze.

Fixings

- The edge pull is fitted via countersunk wood screws from the top face of the handle - see below diagram.



- Supplied with matching countersunk slotted wood screws.

Usage

- Suitable for internal or external use.

Unit Of Sale

- Edge pull handles are sold individually - (each).

Products in this set



44876.1 - Rear Fixing Finger Edge Pull - With Cube Edge - 50mm Wide x 50mm Projection - Dark Midnight Bronze (Lacquered) - Each



44876.2 - Rear Fixing Finger Edge Pull - With Cube Edge - 75mm Wide x 50mm Projection - Dark Midnight Bronze (Lacquered) - Each



44876.3 - Rear Fixing Finger Edge Pull - With Cube Edge - 100mm Wide x 50mm Projection - Dark Midnight Bronze (Lacquered) - Each



44876.4 - Rear Fixing Finger Edge Pull - With Cube Edge - 200mm Wide x 50mm Projection - Dark Midnight Bronze (Lacquered) - Each